

**Thwaites**  
**allparts**

Thwaites Ltd  
Leamington Spa  
Warwickshire  
CV32 7NQ  
Tel +44 (0)1926 422471  
Fax +44 (0)1926 450458  
[www.thwaitesdumpers.co.uk](http://www.thwaitesdumpers.co.uk)

**FROM VIN No.** C2967

**DATED** 02nd APRIL 2012

**VIN No.** B \_\_\_\_\_

**ENGINE BUILD No.** 3TNV88-XWA2

**PAYLOAD** 2.0 TONNE

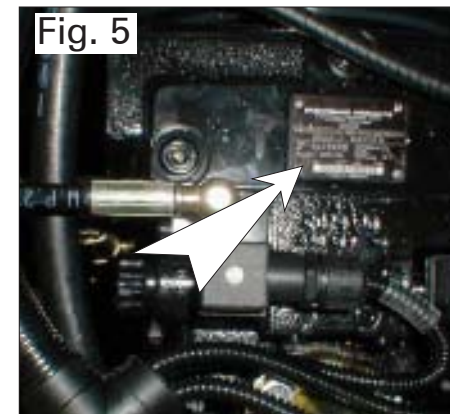
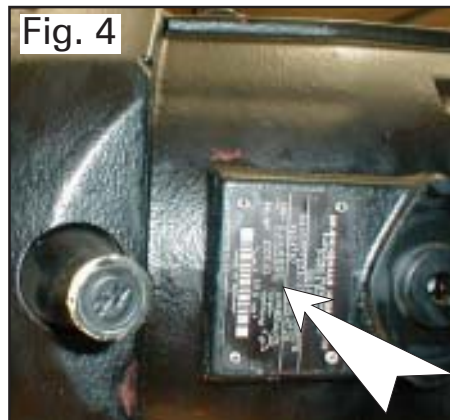
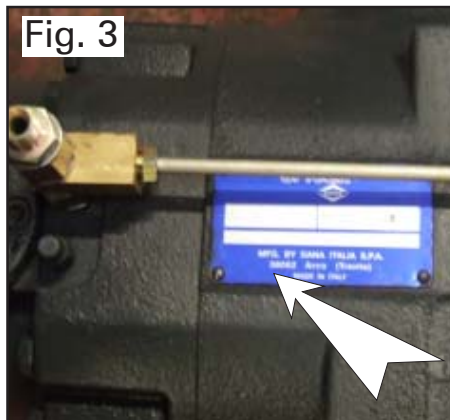
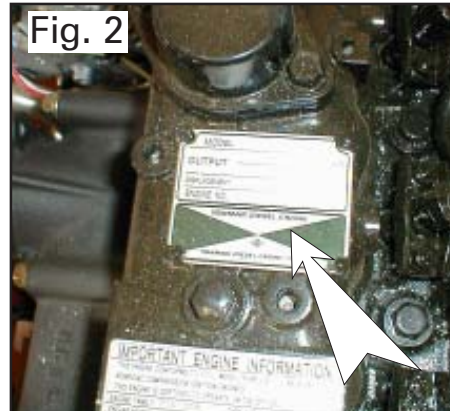
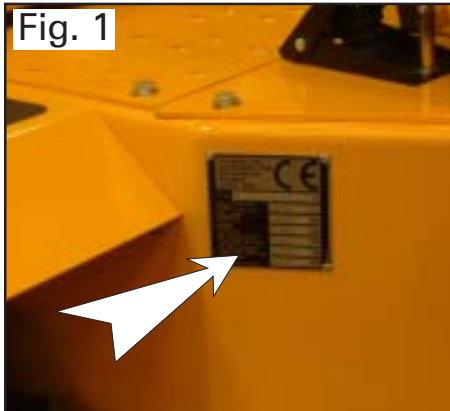
**SKIP** HI SWIVEL

**TRANSMISSION** HYDROSTATIC

**TYPE** MACH 471

**PREFIX No.** 01

**MACHINE IDENTIFICATION**



**Serial Numbers**

Note machine serial numbers. Always quote them in communication with Thwaites dealer or Head Office.

Model Type (Fig 1.)

**Vin N° (Fig. 1)**

**Engine Serial N° (Fig. 2)**

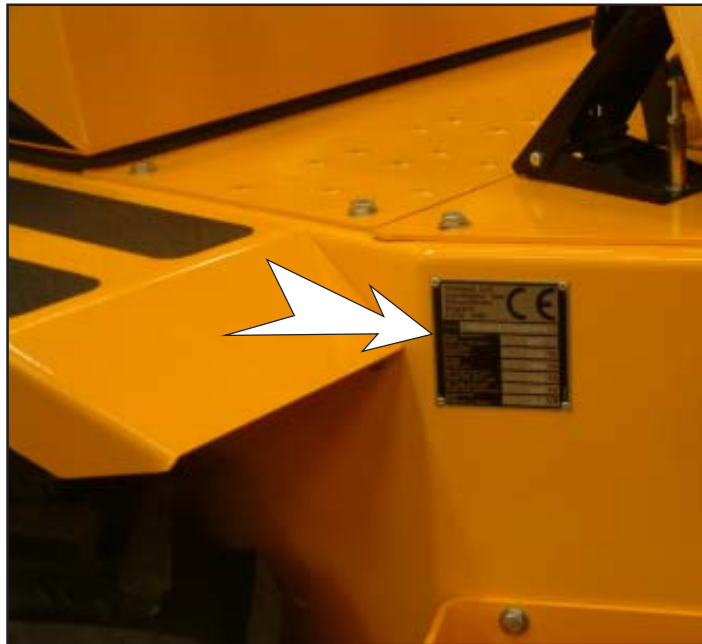
**Axle Serial N° (Fig. 3)      Front  
Rear**

**Drive Motor Serial N° (Fig. 4)**

**Drive Pump N° (Fig. 5)**

**VEHICLE IDENTIFICATION NUMBER - (VIN)**

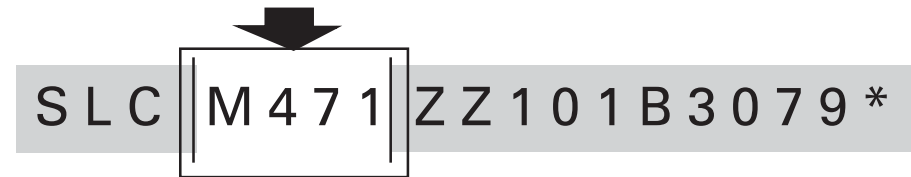
Thwaites have now adopted the international identification system known as VEHICLE IDENTIFICATION NUMBER normally referred to as VIN.



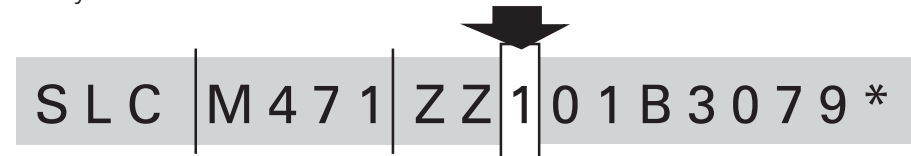
The VIN number incorporates a number of security features and also the machine model and individual serial number.

**Important note:** *Do not use this parts manual to order replacement spares if the prefix level of your machine is higher than the number quoted at the front of this parts manual.*

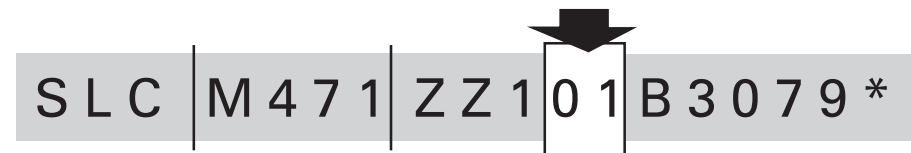
When ordering replacement spares it is important that the model or MACH number is used to identify the correct parts manual.



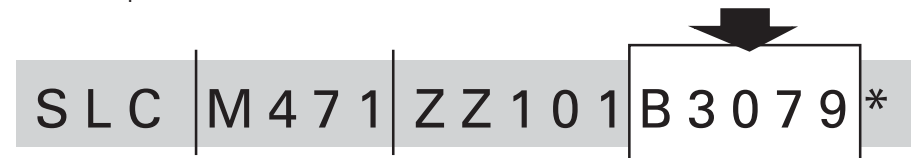
The year of manufacture:



The Machine Parts Manual issue level denoted by the two digit Prefix Number:

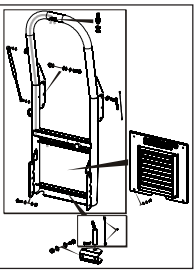


The unique machine serial number:



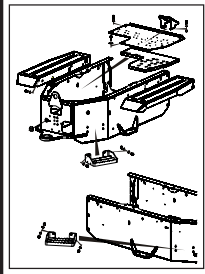
Please ensure that these numbers are quoted in all correspondence with your Thwaites distributor.

## ROPS FRAME ASSEMBLY



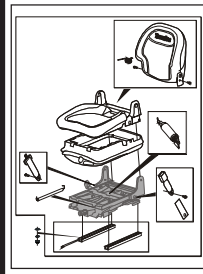
PAGE 1

## REAR CHASSIS ASSEMBLY



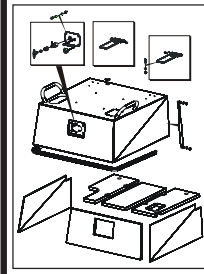
PAGE 2

## SEAT ASSEMBLY



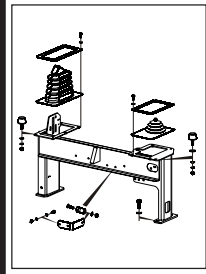
PAGE 3

## ENGINE COVER ASSEMBLY



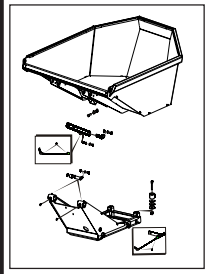
PAGE 4

## CROSS BRACE ASSEMBLY



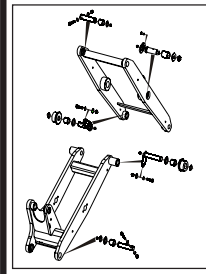
PAGE 5

## SKIP & UPPER SUB CHASSIS



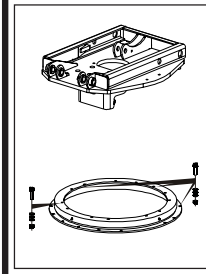
PAGE 6

## SCISSOR FRAME



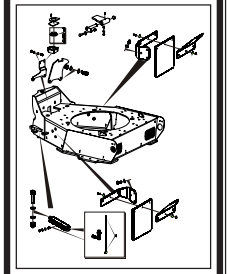
PAGE 7

## LOWER SUB CHASSIS



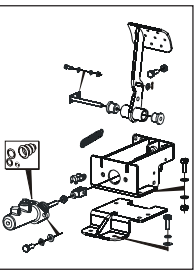
PAGE 8

## FRONT CHASSIS ASSEMBLY



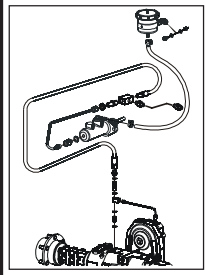
PAGE 9 & 10

## BRAKE PEDAL ASSEMBLY



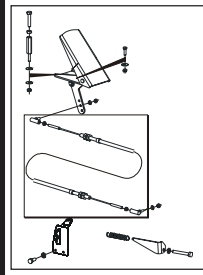
PAGE 11

## BRAKE CIRCUIT



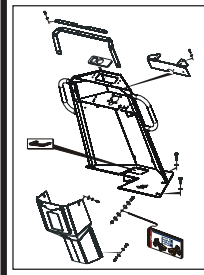
PAGE 12

## THROTTLE ASSEMBLY



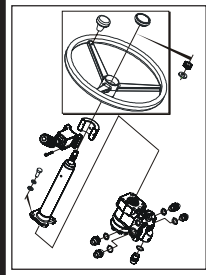
PAGE 13

## LEG GUARD ASSEMBLY



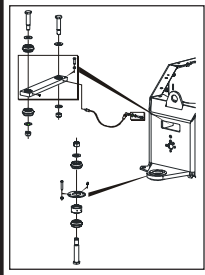
PAGE 14

## STEERING ASSEMBLY



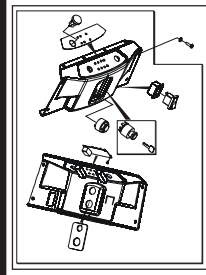
PAGE 15

## KINGLINK ASSEMBLY



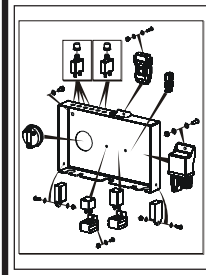
PAGE 16

## DASH PANEL ASSEMBLY



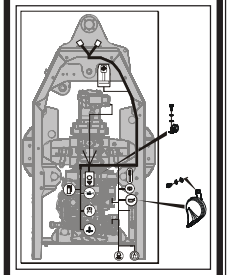
PAGE 17

## ELECTRIC BOX



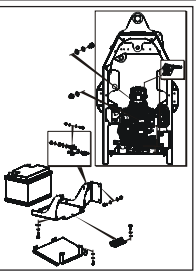
PAGE 18

## ENGINE HARNESS



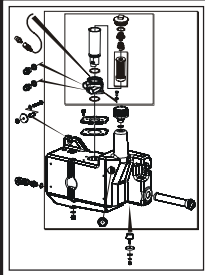
PAGE 19

## BATTERY BOX ASSEMBLY



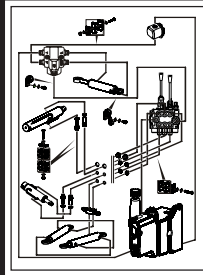
PAGE 20

## HYD. TANK ASSEMBLY



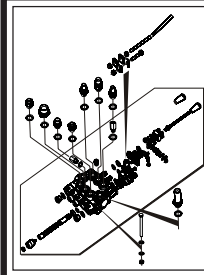
PAGE 21 & 22

## HYDRAULIC CIRCUIT



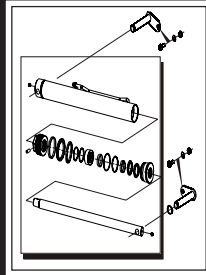
PAGE 23 & 24

## TIPPING VALVE ASSEMBLY



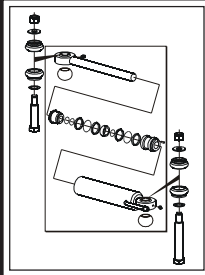
PAGE 25 & 26

## TIPPING RAM ASSEMBLY



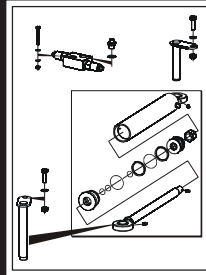
PAGE 27

## STEERING RAM ASSEMBLY



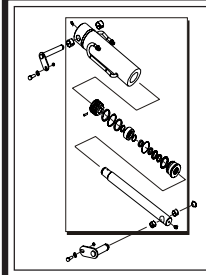
PAGE 28

## SLEW RAM ASSEMBLY



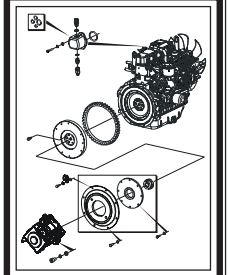
PAGE 29

## LIFT RAM ASSEMBLY



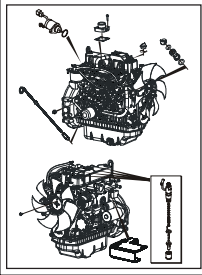
PAGE 30

## TRANS. DRIVE & HYD. PUMP



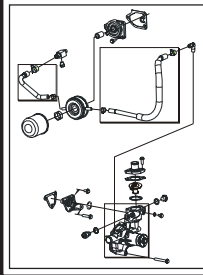
PAGE 31

### ENGINE ACCESSORIES



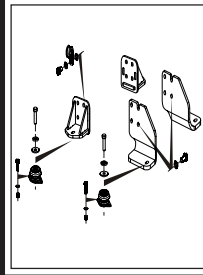
PAGE 32

### ENGINE OIL COOLER



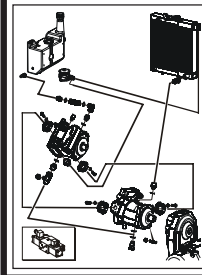
PAGE 33

### ENGINE MOUNTINGS



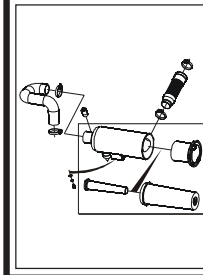
PAGE 34

### HYDROSTATIC PUMP & MOTOR



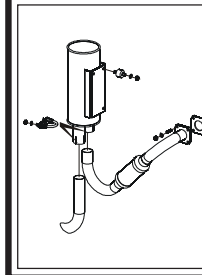
PAGE 35 & 36

### AIR CLEANER ASSEMBLY



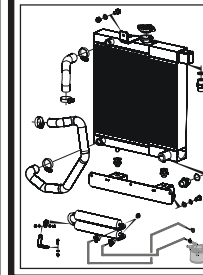
PAGE 37

### EXHAUST



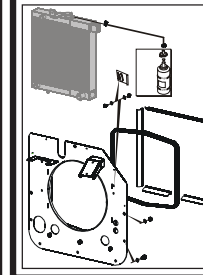
PAGE 38

### RADIATOR & FUEL COOLER



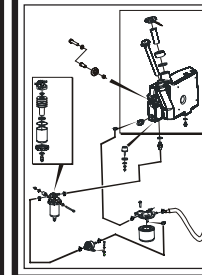
PAGE 39

### RADIATOR COWL & SEALS



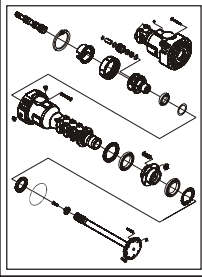
PAGE 40

### FUEL TANK ASSEMBLY



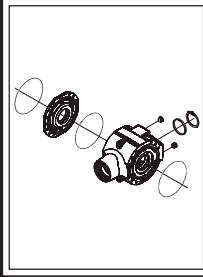
PAGE 41 & 42

### FRONT AXLE - HUB REDUCTION



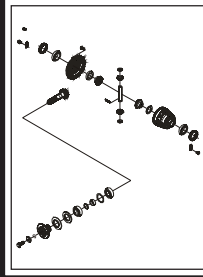
PAGE 43 & 44

### FRONT AXLE - CENT. HOUSING



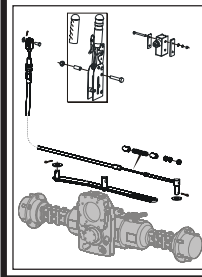
PAGE 45

### FRONT AXLE - DIFFERENTIAL



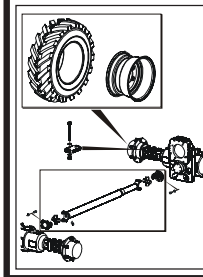
PAGE 46

### HANDBRAKE ASSEMBLY



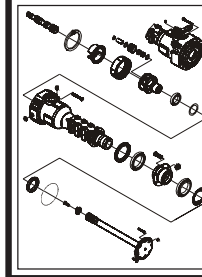
PAGE 47

### PROPSHAFT & WHEEL ASSY.



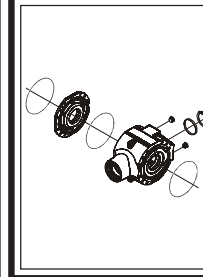
PAGE 48

### REAR AXLE - HUB REDUCTION



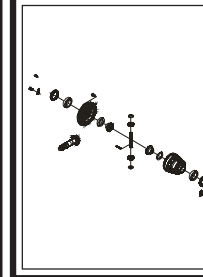
PAGE 49 & 50

### REAR AXLE - CENT. HOUSING



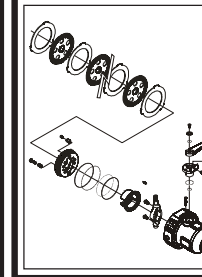
PAGE 51

### REAR AXLE - DIFFERENTIAL



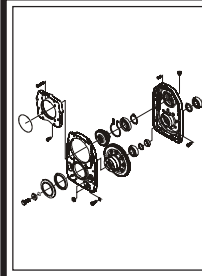
PAGE 52

### REAR AXLE - BRAKES



PAGE 53

### REAR AXLE - GEAR BOX



PAGE 54

### OPTIONAL EXTRAS



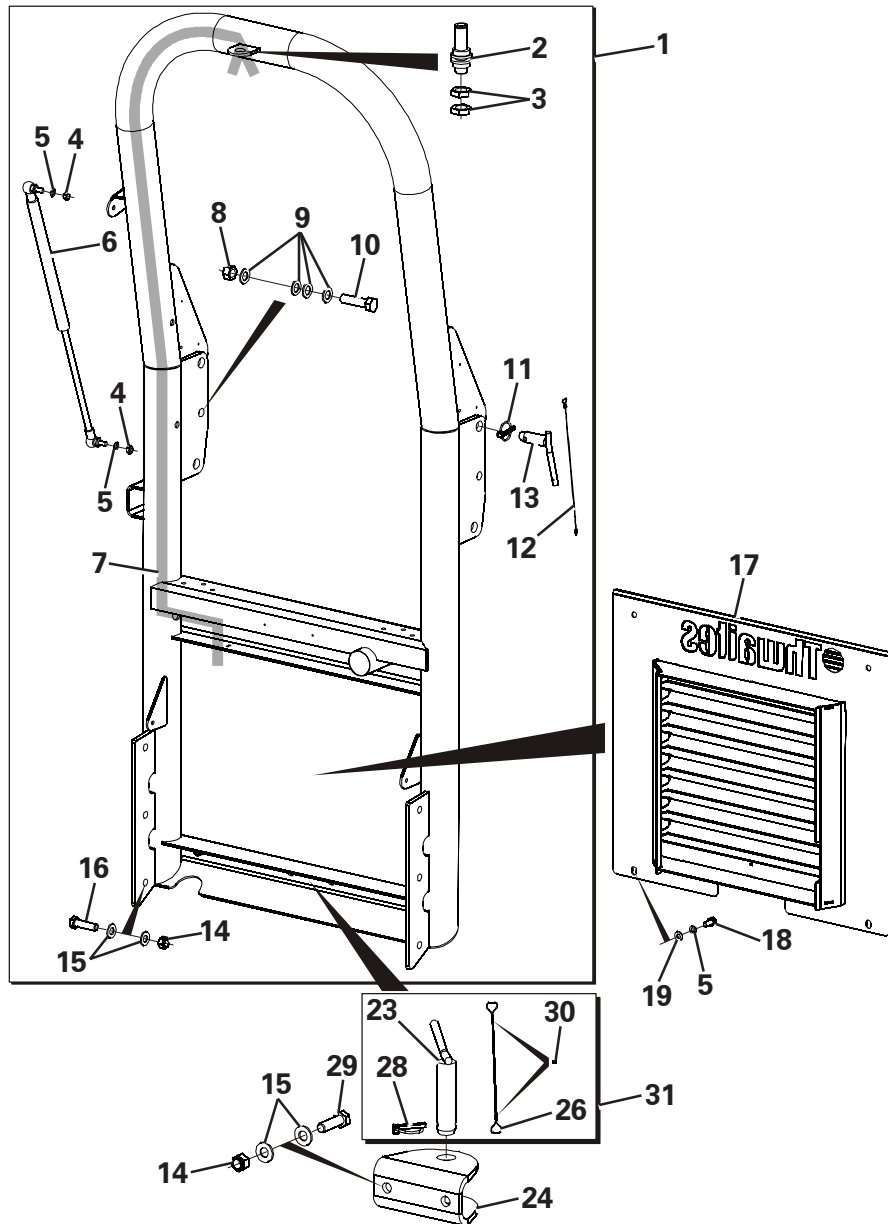
PAGE 55

### OPTIONAL EXTRAS



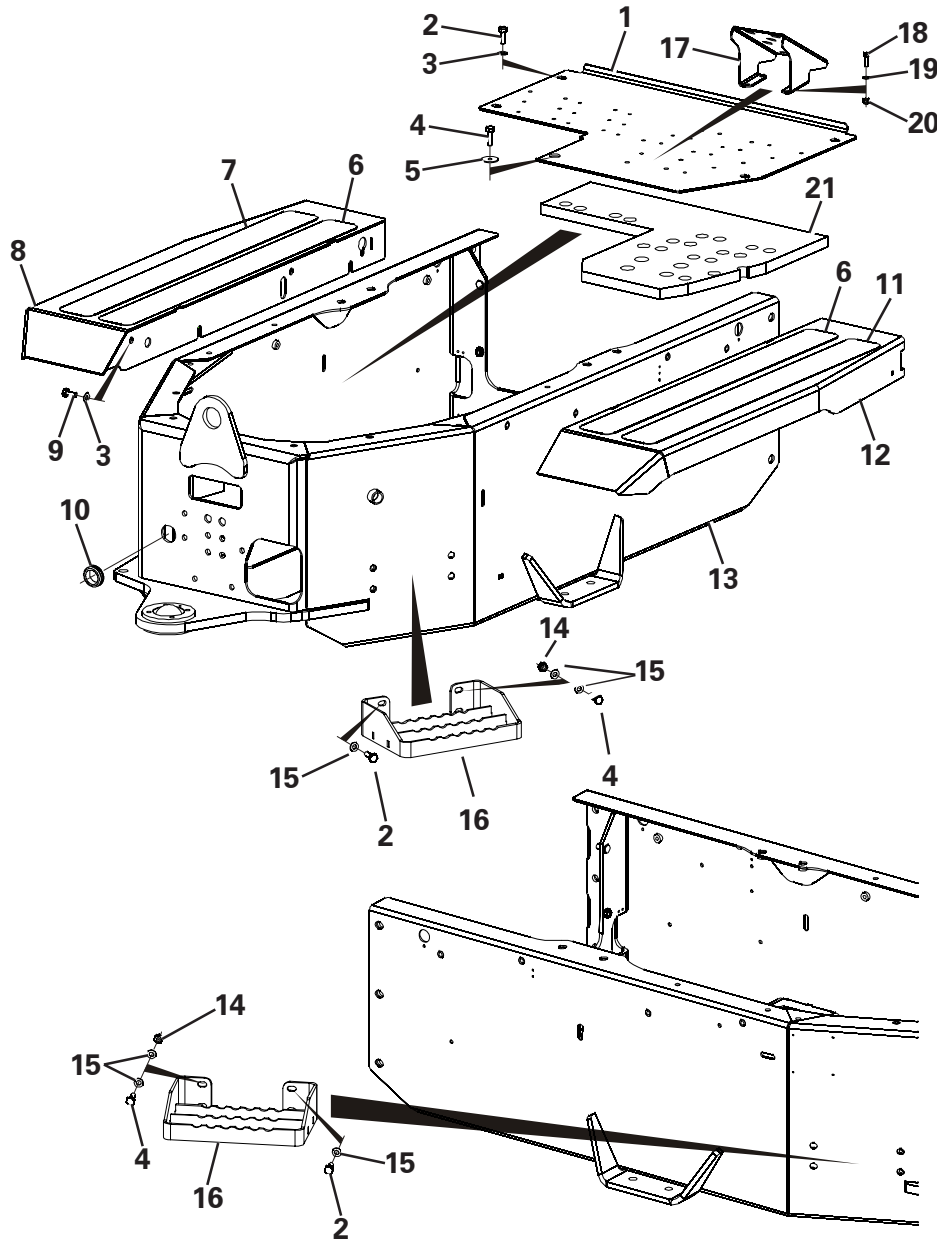
PAGE 56 - 58

**ROPS FRAME ASSEMBLY**



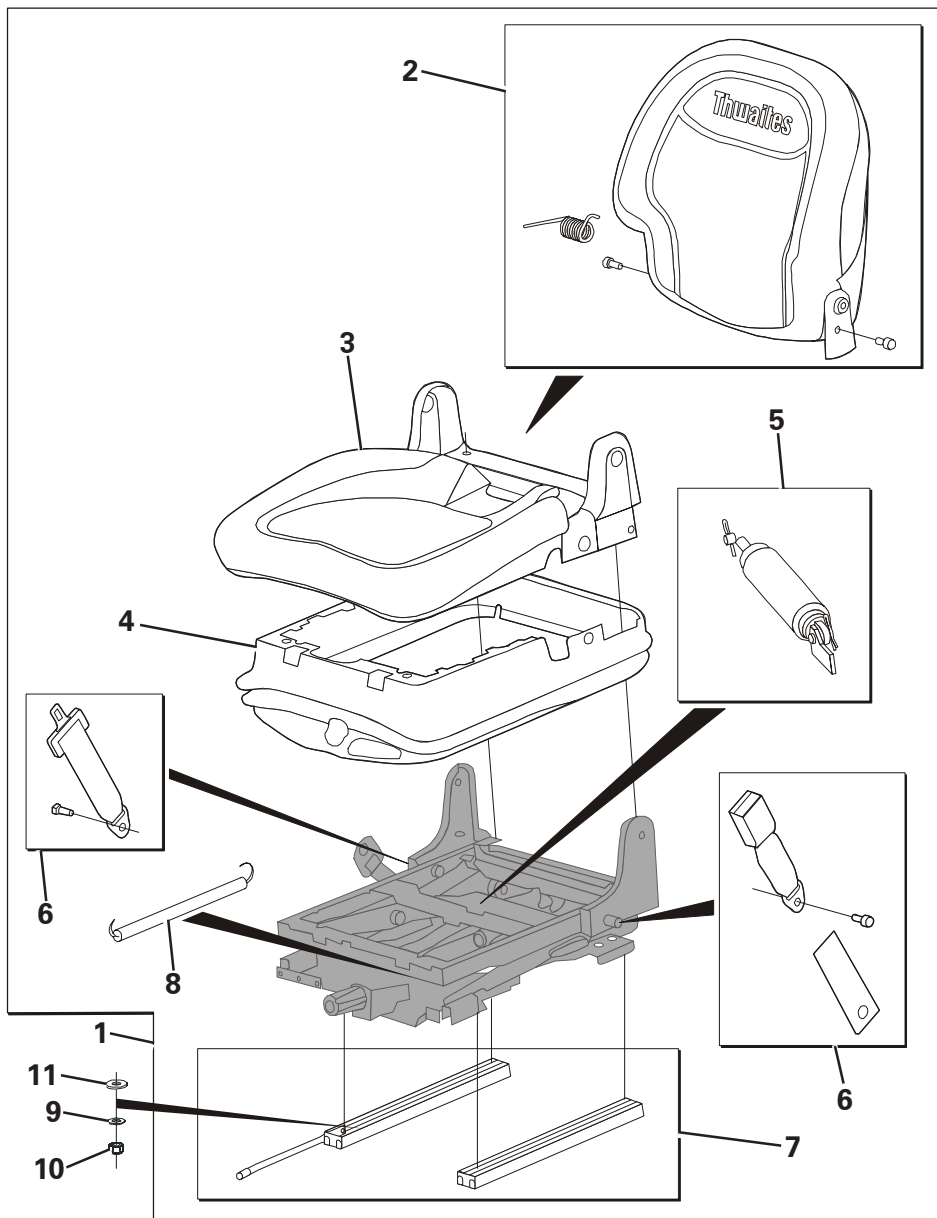
Item	Part No.	Description	Qty	U/M
1	T102634	FOLDING ROPS ASSY	1.0	EA
2	T100134	BEACON STEM	1.0	EA
3	T101154	LOCK NUT	2.0	EA
4	T12509	NUT	2.0	EA
5	T13362	SPRING WASHER	6.0	EA
6	T100225	GAS SPRING	1.0	EA
7	T102683	BEACON HARNESS	1.0	EA
8	T13739	PHILIDAS NUT	2.0	EA
9	T17306	WASHER	8.0	EA
10	T103047	BOLT	2.0	EA
11	T103044	LINCH PIN	2.0	EA
12	T103045	LINCH PIN WIRE	2.0	EA
13	T103046	ROPS HINGE PIN	2.0	EA
14	T14910	PHILIDAS NUT	8.0	EA
15	T100867	WASHER	16.0	EA
16	T15571	BOLT	6.0	EA
17	T102907	REAR GRILLE	1.0	EA
18	T7466	SET SCREW	4.0	EA
19	T15819	WASHER	4.0	EA
23	T100156	TOWING PIN	1.0	EA
24	T100155	TOWING JAW	1.0	EA
26	T103188	TOWING PIN RETAINING CABLE	1.0	EA
28	T103044	LINCH PIN	1.0	EA
29	T11315	BOLT	2.0	EA
30	T103233	COPPER SLEEVE	2.0	EA
31	T103234	TOWING PIN ASSY	1.0	EA

**REAR CHASSIS ASSEMBLY**



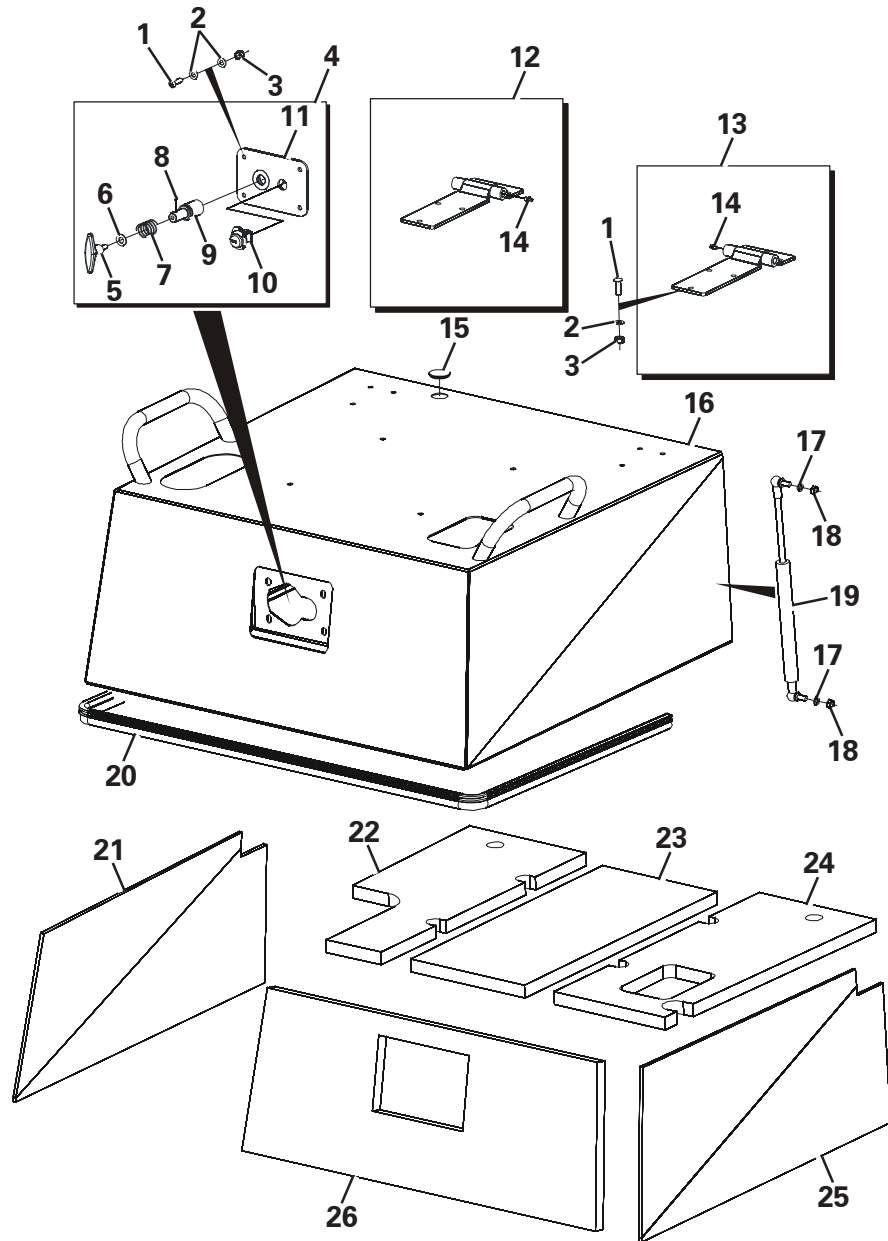
Item	Part No.	Description	Qty	U/M
1	T101005	FLOORPLATE	1.0	EA
2	T20618	SET SCREW	8.0	EA
3	T10734	HEAVY DUTY WASHER	12.0	EA
4	T16505	SET SCREW	5.0	EA
5	T8128	HEAVY DUTY WASHER	1.0	EA
6	T103011	ANTI SLIP PAD	2.0	EA
7	T103011	ANTI SLIP PAD	1.0	EA
8	T102708	MUDGUARD ASSEMBLY RH	1.0	EA
9	T7466	SET SCREW	8.0	EA
10	T17123	GROMMET	1.0	EA
11	T103011	ANTI SLIP PAD	1.0	EA
12	T102709	MUDGUARD ASSEMBLY LH	1.0	EA
13	T102685	REAR CHASSIS	1.0	EA
14	T13064	PHILIDAS NUT	4.0	EA
15	T15819	WASHER	12.0	EA
16	T100147	STEP	2.0	EA
17	T100954	FOOT REST	1.0	EA
18	T12694	SET SCREW	4.0	EA
19	T12973	WASHER	4.0	EA
20	T19007	PHILIDAS NUT	4.0	EA
21	T102085	FLOORPLATE SOUND INSULATION	1.0	EA

**SEAT ASSEMBLY**



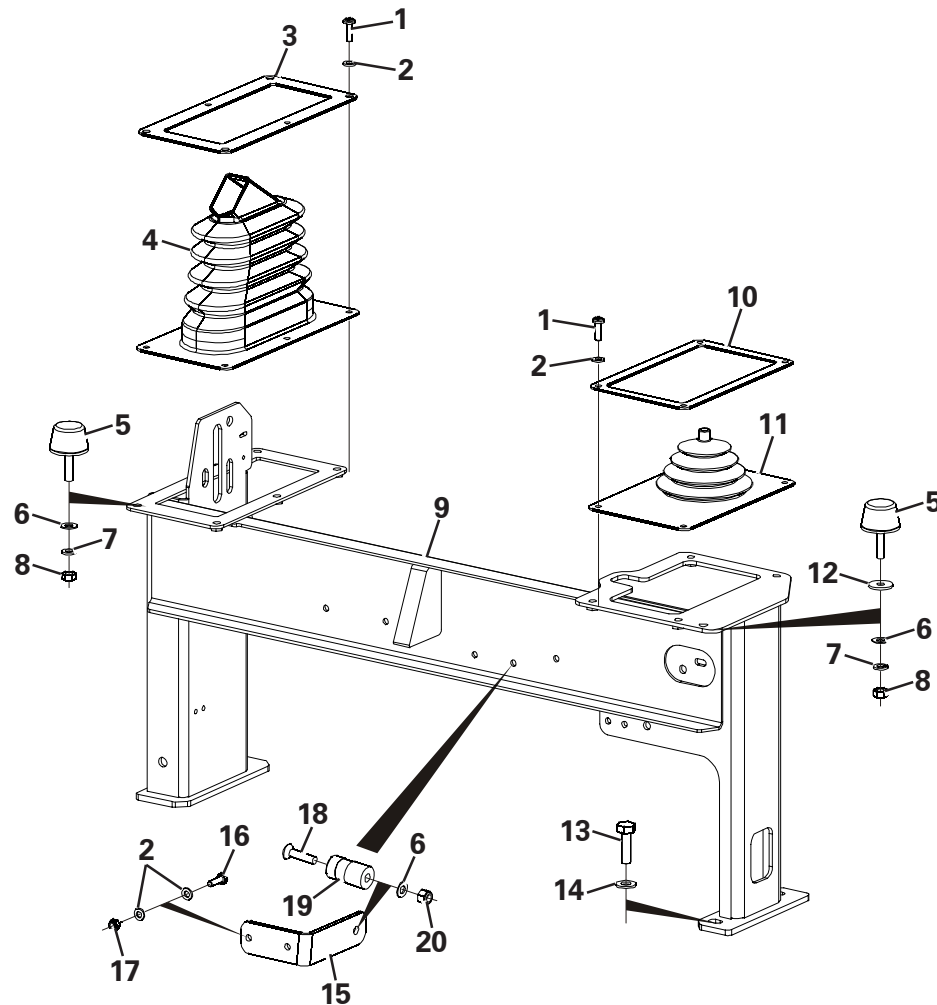
Item	Part No.	Description	Qty	U/M
1	T102628	SEAT	1.0	EA
2	T53830	BACK CUSHION KIT	1.0	EA
3	T53831	SEAT CUSHION KIT	1.0	EA
4	T53845	BOOT	1.0	EA
5	T53832	DAMPER KIT	1.0	EA
6	T53840	SEATBELT KIT	1.0	EA
7	T53829	SLIDE RAIL ADJUSTER KIT	1.0	EA
8	T53886	TRANSFER ROD	1.0	EA
9	T12973	PLAIN WASHER	4.0	EA
10	T13457	NYLOC NUT	4.0	EA
11	T9345	HEAVY DUTY WASHER	4.0	EA

**ENGINE COVER ASSEMBLY**



Item	Part No.	Description	Qty	U/M
1	T12971	SOCKET DOME HEAD SCREW	16.0	EA
2	T12973	WASHER	20.0	EA
3	T13457	NYLOC NUT	16.0	EA
4	T103218	LOCK ASSY	1.0	EA
5	T100216	RENCOL HANDLE	1.0	EA
6	T10734	HEAVY DUTY WASHER	1.0	EA
7	T103237	SPRING	1.0	EA
8	T100477	GRUB SCREW	1.0	EA
9	T103217	LOCK PLUNGER	1.0	EA
10	T100265	COMPARTMENT LOCK	1.0	EA
11	T103216	WELDED LOCK ASSY	1.0	EA
12	T101780	HINGE RH (CW GREASE NIPPLE)	1.0	EA
13	T101779	HINGE LH (CW GREASE NIPPLE)	1.0	EA
14	T16586	GREASE NIPPLE	2.0	EA
15	T12589	BLANKING GROMMET	1.0	EA
16	T102688	ENGINE COVER	1.0	EA
17	T12972	SPRING WASHER	4.0	EA
18	T9775	NUT	4.0	EA
19	T100610	GAS STRUT	2.0	EA
20	T101249	SEAL	1.0	EA
21	T103005	SOUND INSULATION RH SIDE	1.0	EA
22	T103009	SOUND INSULATION TOP RH	1.0	EA
23	T103006	SOUND INSULATION TOP	1.0	EA
24	T103008	SOUND INSULATION TOP LH	1.0	EA
25	T103007	SOUND INSULATION LH SIDE	1.0	EA
26	T102080	SOUND INSULATION FRONT	1.0	EA

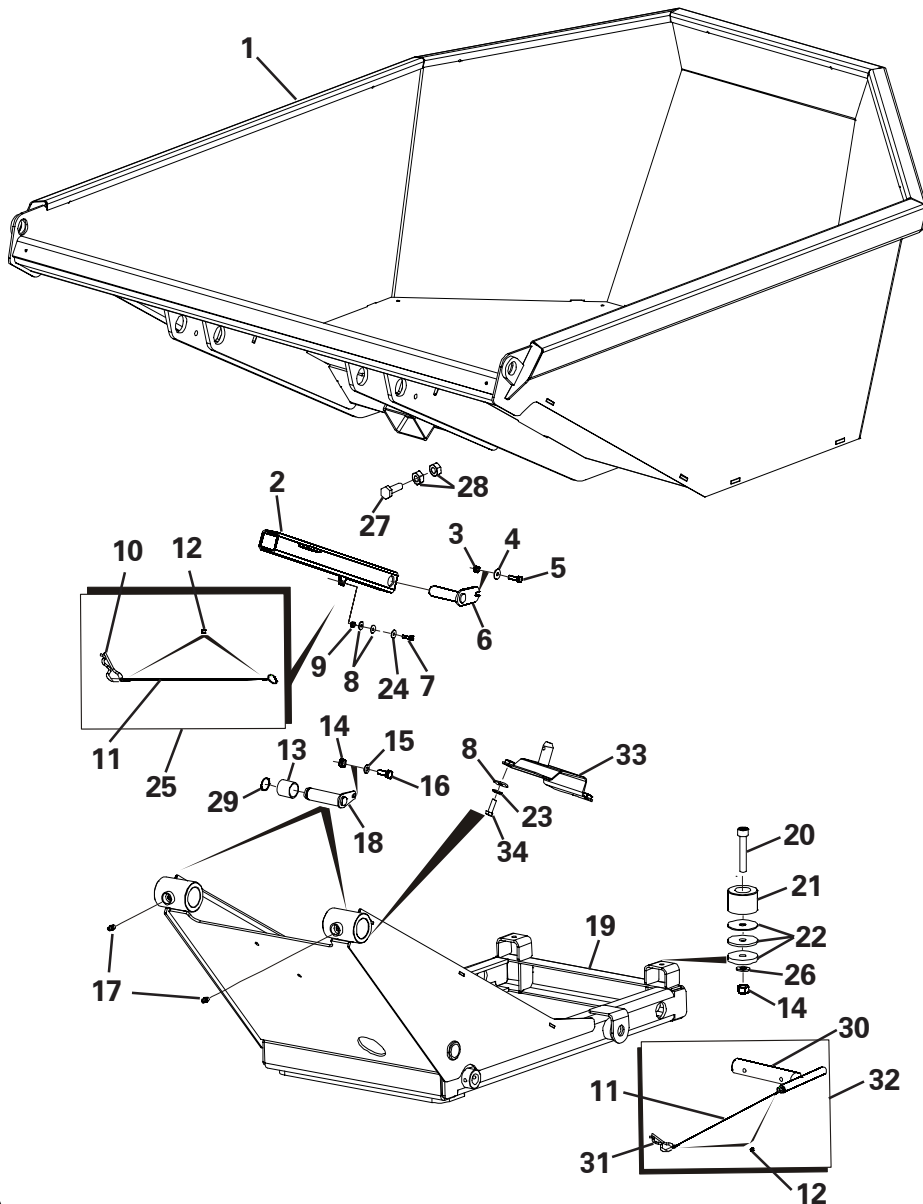
**CROSS BRACE ASSEMBLY**



Item	Part No.	Description	Qty	U/M
1	T16492	DOME HEAD SCREW	9.0	EA
2	T13911	WASHER	13.0	EA
3	T100570	HANDBRAKE GAITER RETAINER	1.0	EA
4	T102351	HANDBRAKE GAITER	1.0	EA
5	T100214	RUBBER BUFFER	2.0	EA
6	T12973	WASHER	3.0	EA
7	T12972	SPRING WASHER	2.0	EA
8	T9775	NUT	2.0	EA
9	T103412	CROSSBRACE	1.0	EA
10	T100569	TIPPING GAITER RETAINING PLATE	1.0	EA
11	T101167	TIPPING LEVER GAITER	1.0	EA
12	T17153	HEAVY DUTY WASHER	1.0	EA
13	T16505	SET SCREW	4.0	EA
14	T10734	HEAVY DUTY WASHER	4.0	EA
15	T103225	BEACON STORAGE BRACKET	1.0	EA
16	T16477	SET SCREW	2.0	EA
17	T16481	NYLOC NUT	2.0	EA
18	T17070	SOCKET C/SUNK HEAD SCREW	1.0	EA
19	T102401	BEACON POST	1.0	EA
20	T13457	NULOC NUT	1.0	EA

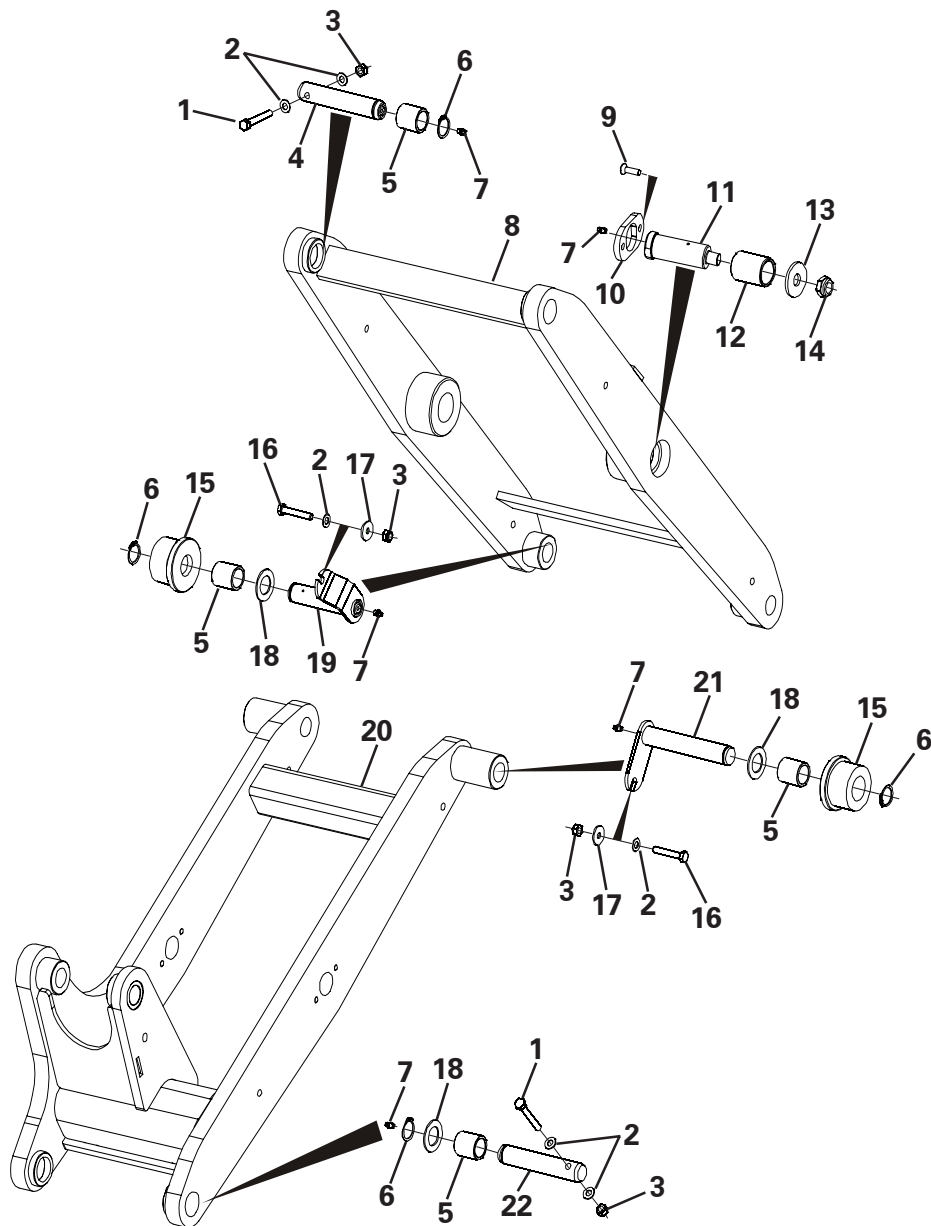
SKIP & UPPER SUB CHASSIS

Item	Part No.	Description	Qty	U/M
1	T104253	SKIP	1.0	EA
2	T101421	SKIP PROP	1.0	EA
3	T13457	NYLOC NUT	1.0	EA
4	T9345	HEAVY DUTY WASHER	1.0	EA
5	T12694	BOLT	1.0	EA
6	T17236	SKIP PROP PIN	1.0	EA
7	T16477	SET SCREW	1.0	EA
8	T15830	HEAVY DUTY WASHER	4.0	EA
9	T16481	NYLOC NUT	1.0	EA
10	T103722	R CLIP	1.0	EA
11	T103188	RETAINING CABLE	2.0	EA
12	T103233	COPPER SLEEVE	4.0	EA
13	T100029	BUSH	2.0	EA
14	T13064	PHILIDAS NUT	4.0	EA
15	T10734	HEAVY DUTY WASHER	2.0	EA
16	T20618	SET SCREW	2.0	EA
17	T16586	GREASE NIPPLE	2.0	EA
18	T100086	PIVOT PIN	2.0	EA
19	T104252	UPPER SUB CHASSIS	1.0	EA
20	T17969	CAPHEAD SCREW	2.0	EA
21	T101733	SKIP PAD	2.0	EA
22	T102200	SKIP PAD SPACER 2mm	A/R	EA
	T102104	SKIP PAD SPACER 3mm	A/R	EA
	T103023	SKIP PAD SPACER 5mm	A/R	EA
	T102430	SKIP PAD SPACER 10mm	A/R	EA
23	T14837	SPRING WASHER	2.0	EA
24	T13911	WASHER	1.0	EA
25	T103580	R CLIP CABLE ASSEMBLY	1.0	EA
26	T15819	WASHER	2.0	EA
27	T16505	SET SCREW	1.0	EA
28	T12509	PLAIN NUT	2.0	EA
29	T100099	CIRCLIP	2.0	EA
30	T103661	LIFT PROP PIN	1.0	EA
31	T103567	R CLIP	1.0	EA
32	T103513	LOCK PIN ASSEMBLY	1.0	EA
33	T104265	SKIP PROP BRACKET	1.0	EA
34	T16477	SET SCREW	2.0	EA

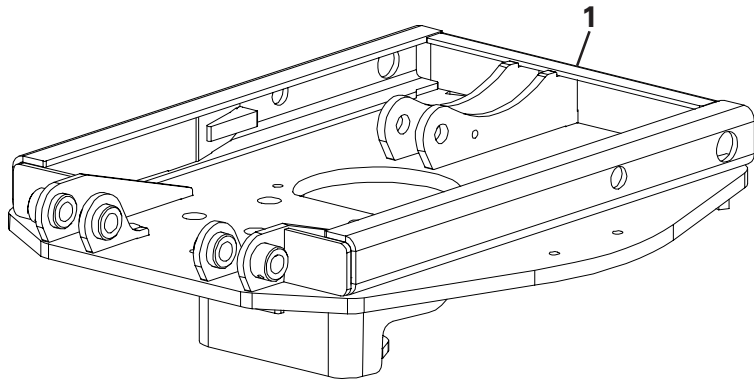


**SCISSOR FRAME**

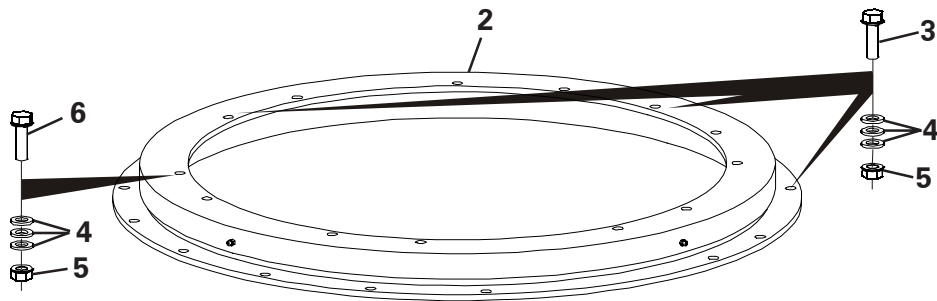
Item	Part No.	Description	Qty	U/M
1	T17157	BOLT	4.0	EA
2	T12973	WASHER	12.0	EA
3	T13457	NYLOC NUT	8.0	EA
4	T18046	PIVOT PIN	2.0	EA
5	T17256	BUSH	8.0	EA
6	T17301	CIRCLIP	8.0	EA
7	T16586	GREASE NIPPLE	10.0	EA
8	T104251	OUTER FRAME	1.0	EA
9	T104002	COUNTER SUNK SET SCREW	4.0	EA
10	T104307	CENTRE PIVOT PIN RETAINER	2.0	EA
11	T104306	CENTRE PIVOT PIN	2.0	EA
12	T17255	BUSH	2.0	EA
13	T17419	HEAVY DUTY WASHER	2.0	EA
14	T13437	PHILIDAS NUT	2.0	EA
15	T18047	ROLLER	4.0	EA
16	T100353	BOLT	4.0	EA
17	T9345	HEAVY DUTY WASHER	4.0	EA
18	T17254	THRUST WASHER	6.0	EA
19	T18043	ROLLER PIVOT PIN	2.0	EA
20	T104250	INNER FRAME ASSY	1.0	EA
21	T18044	ROLLER PIVOT PIN	2.0	EA
22	T101857	PIVOT PIN	2.0	EA



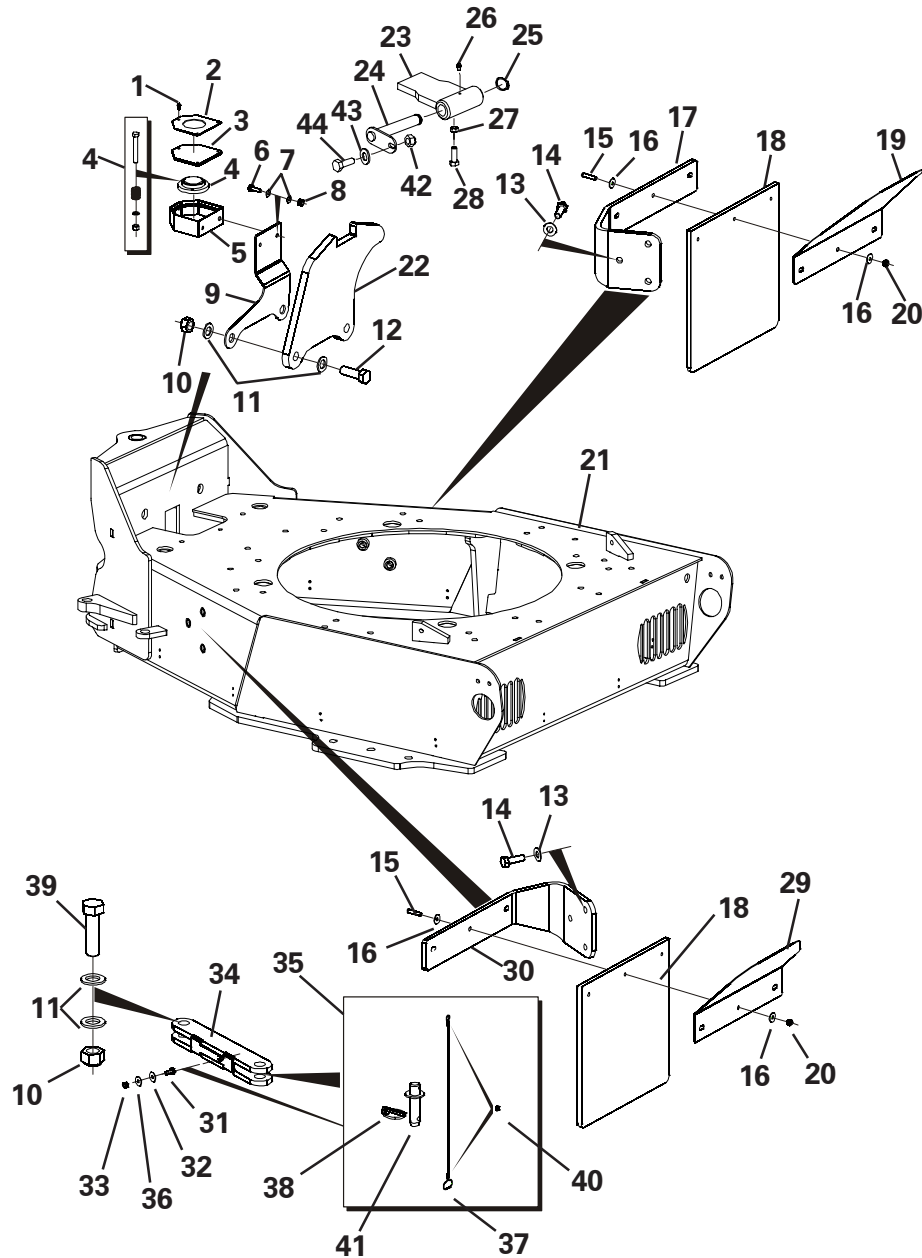
**LOWER SUB CHASSIS**



Item	Part No.	Description	Qty	U/M
1	T104249	LOWER SUB CHASSIS	1.0	EA
2	T102151	SLEW RING	1.0	EA
3	T9926	DURLOCK BOLT	18.0	EA
4	T7245/1	.003 SHIM	A/R	EA
	T7245/2	.005 SHIM	A/R	EA
	T7245/3	.010 SHIM	A/R	EA
	T7245/4	.020 SHIM	A/R	EA
	T7245/5	.030 SHIM	A/R	EA
5	T9928	DURLOCK NUT	25.0	EA
6	T9927	DURLOCK BOLT	7.0	EA

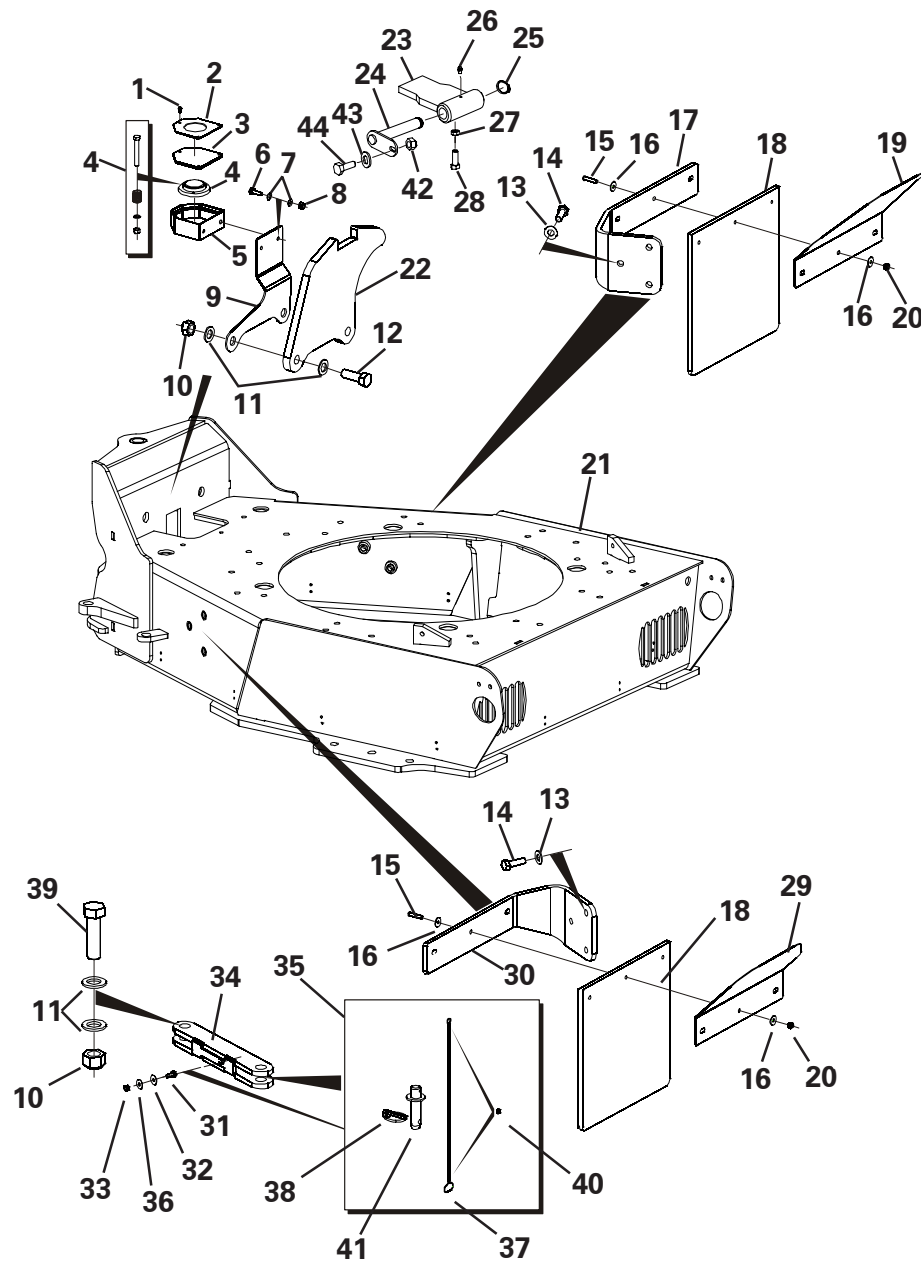


FRONT CHASSIS ASSEMBLY



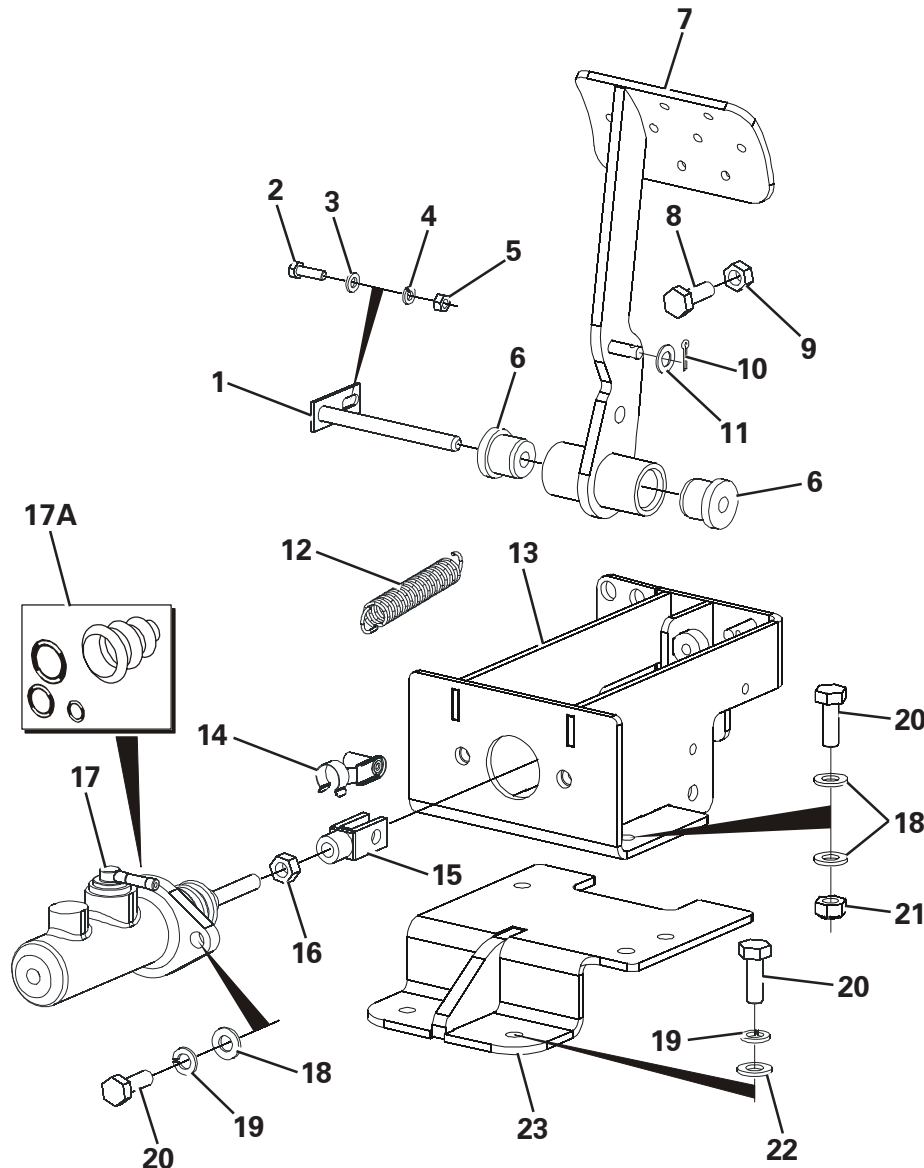
Item	Part No.	Description	Qty	U/M
1	T12007	POSIDRIVE PAN HEAD SCREW	3.0	EA
2	T101148	INCLINOMETER COVER PLATE	1.0	EA
3	T101151	CLEAR INCLINOMETER COVER	1.0	EA
4	T16332	OPTICAL INCLINOMETER	1.0	EA
5	T101147	INCLINOMETER BRACKET	1.0	EA
6	T13457	NYLOC NUT	2.0	EA
7	T12973	WASHER	4.0	EA
8	T7465	SET SCREW	2.0	EA
9	T102278	INCLINOMETER BRACKET	1.0	EA
10	T20325	STOVER NUT	3.0	EA
11	T17306	WASHER	6.0	EA
12	T100459	BOLT	2.0	EA
13	T14748	HEAVY DUTY WASHER	6.0	EA
14	T14078	SET SCREW	6.0	EA
15	T100700	DOME HEAD SCREW	6.0	EA
16	T15830	HEAVY DUTY WASHER	12.0	EA
17	T102736	MUDGUARD BRACKET LH	1.0	EA
18	T18059	RUBBER MUDFLAP	2.0	EA
19	T101001	MUDGUARD LH	1.0	EA
20	T13910	PHILIDAS NUT	6.0	EA

**FRONT CHASSIS ASSEMBLY**

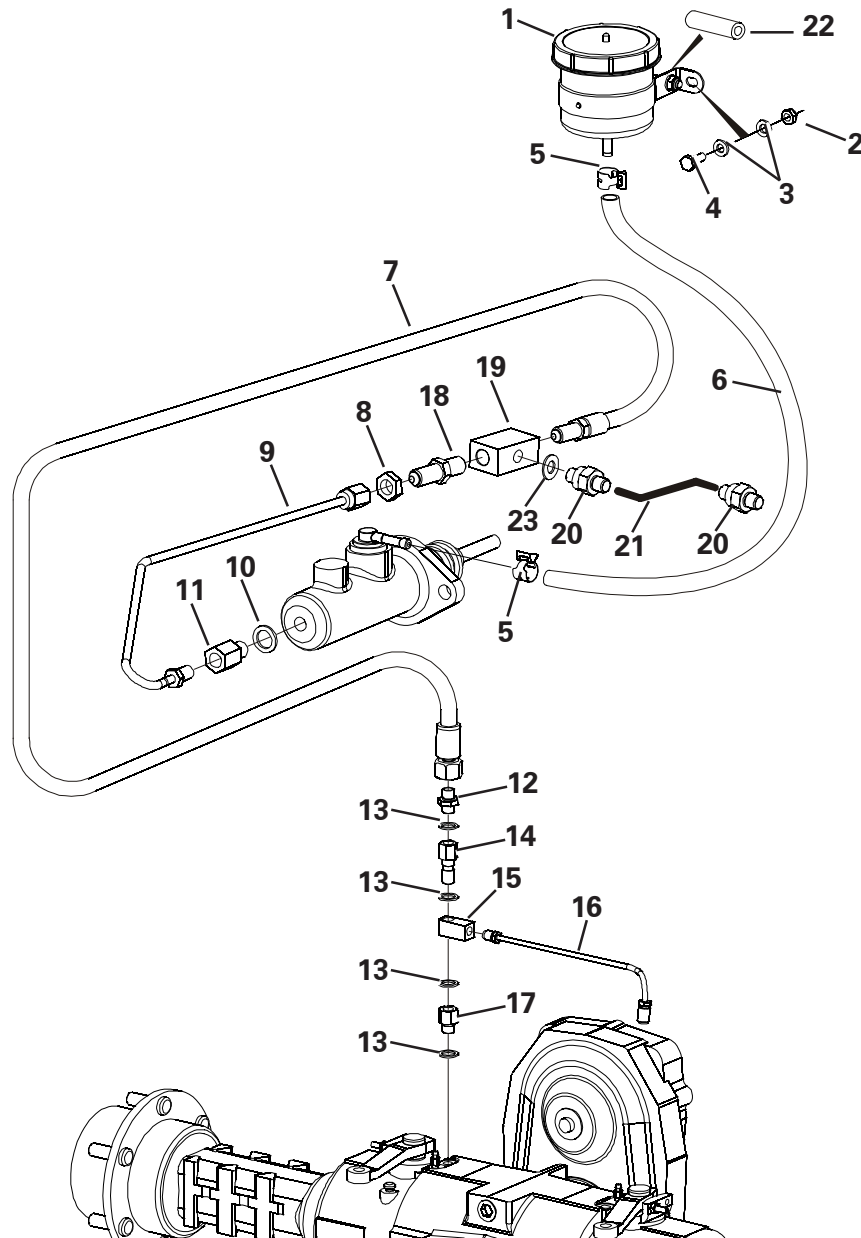


Item	Part No.	Description	Qty	U/M
21	T102705	FRONT CHASSIS	1.0	EA
22	T102279	LATCH PLATE	1.0	EA
23	T101003	LATCH ASSY	1.0	EA
24	T101019	PIVOT PIN	1.0	EA
25	T8219	CIRCLIP	1.0	EA
26	T16586	GREASE NIPPLE	1.0	EA
27	T100866	NUT	1.0	EA
28	T100865	SETSCREW	1.0	EA
29	T101002	MUDGUARD RH	1.0	EA
30	T102737	MUDGUARD BRACKET RH	1.0	EA
31	T10917	SET SCREW	1.0	EA
32	T13911	WASHER	1.0	EA
33	T16481	NYLOC NUT	1.0	EA
34	T103509	CHASSIS LOCK BAR ASSY	1.0	EA
35	T103531	CHASSIS LOCK PIN ASSY	1.0	EA
36	T15830	HEAVY DUTY WASHER	1.0	EA
37	T103436	PIN RETAINING CABLE	1.0	EA
38	T103044	LINCH PIN	1.0	EA
39	T100310	BOLT	1.0	EA
40	T103233	COPPER SLEEVE	2.0	EA
41	T103508	CHASSIS LOCK PIN	1.0	EA
42	T13064	PHILIDAS NUT	1.0	EA
43	T10734	HEAVEY DUTY WASHER	1.0	EA
44	T20618	SETSCREW	1.0	EA

**BRAKE PEDAL ASSEMBLY**



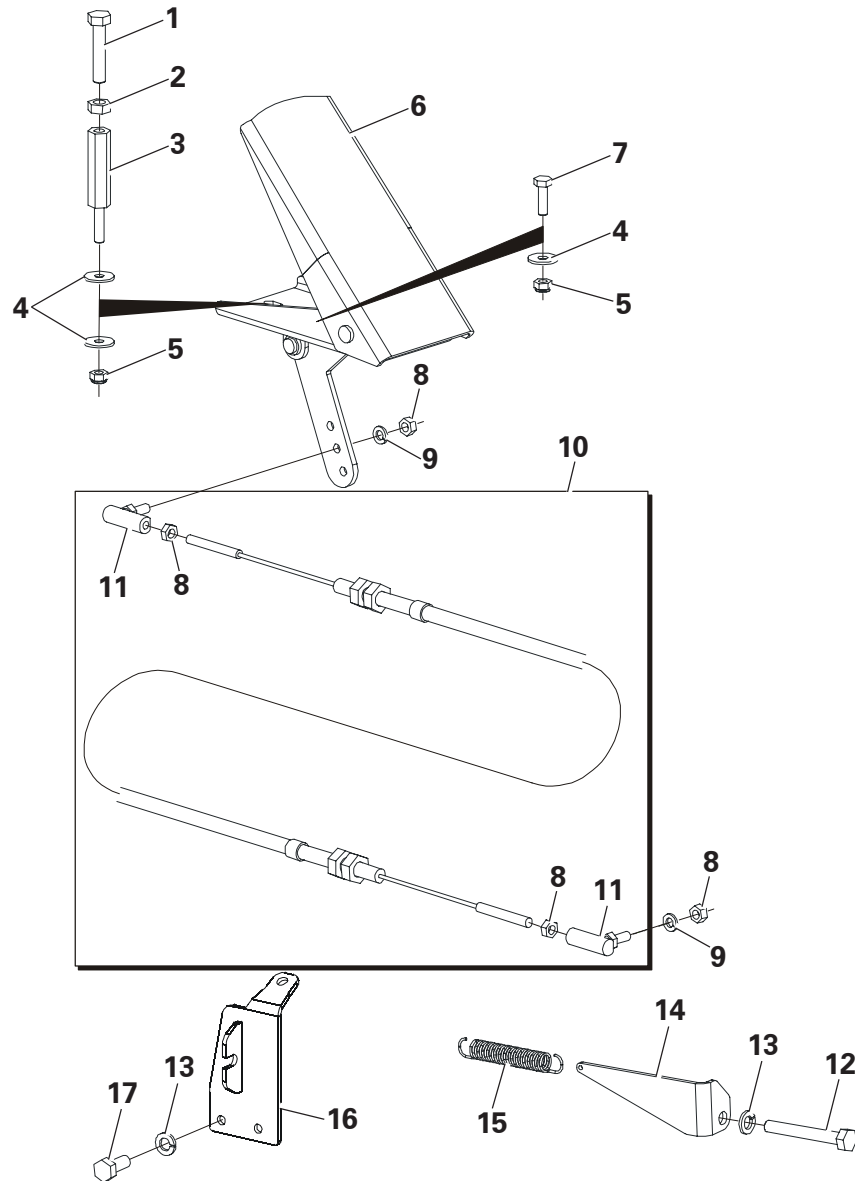
Item	Part No.	Description	Qty	U/M
1	T100096	PEDAL SHAFT	1.0	EA
2	T16477	SET SCREW	1.0	EA
3	T13911	WASHER	1.0	EA
4	T14837	SPRING WASHER	1.0	EA
5	T10431	NUT	1.0	EA
6	T100110	BUSH	2.0	EA
7	T102460	BRAKE/INCHING PEDAL	1.0	EA
8	T12694	SET SCREW	1.0	EA
9	T9775	NUT	1.0	EA
10	T102540	SPLIT PIN	1.0	EA
11	T12973	WASHER	1.0	EA
12	T100318	BRAKE SPRING	1.0	EA
13	T102397	BRAKE PEDAL BRACKET	1.0	EA
14	T102374	SPRING CLEVIS PIN	1.0	EA
15	T102365	FORK END	1.0	EA
16	T19015	LOCK NUT	1.0	EA
17	T102891	MASTER CYLINDER	1.0	EA
17A	T53888	MASTER CYLINDER MAJOR KIT	1.0	EA
18	T15819	WASHER	6.0	EA
19	T13362	SPRING WASHER	4.0	EA
20	T20618	SET SCREW	6.0	EA
21	T13064	PHILIDAS NUT	2.0	EA
22	T10734	HEAVY DUTY WASHER	2.0	EA
23	T100984	PEDAL MOUNTING BRKT ASSY	1.0	EA



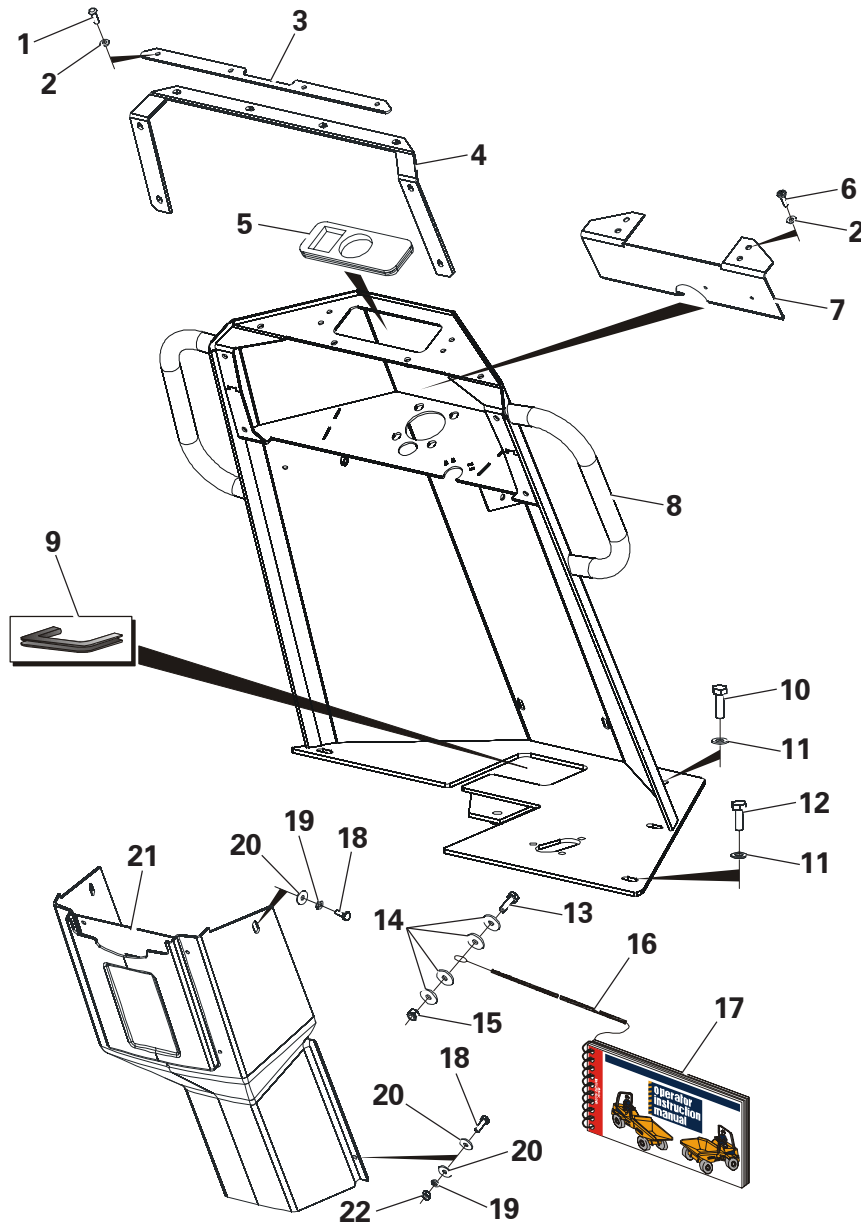
**BRAKE CIRCUIT**

Item	Part No.	Description	Qty	U/M
1	T100402	RESERVOIR	1.0	EA
2	T16481	NYLOC NUT	2.0	EA
3	T13911	WASHER	4.0	EA
4	T10917	SET SCREW	2.0	EA
5	T100691	HOSE CLIP	2.0	EA
6	T100747	BRAKE HOSE	1.0	EA
7	T102733	BRAKE PIPE	1.0	EA
8	T8942	LOCK NUT	1.0	EA
9	T100702	BRAKE PIPE	1.0	EA
10	T10940	DOWTY WASHER	1.0	EA
11	T100701	ADAPTOR	1.0	EA
12	T15175	ADAPTOR	1.0	EA
13	T15176	DOWTY WASHER	4.0	EA
14	T102514	BRAKE TEE BANJO BOLT	1.0	EA
15	T102513	BRAKE PIPE TEE	1.0	EA
16	T102731	REAR AXLE BRAKE PIPE	1.0	EA
17	T102868	MALE/FEMALE ADAPTOR	1.0	EA
18	T100697	BRAKE B/H UNION	1.0	EA
19	T9369	SPECIAL 3 WAY TEE	1.0	EA
20	T100790	ADAPTOR	2.0	EA
21	T100726	HOSE	1.0	EA
22	T103599	SPACER TUBE	1.0	EA
23	T100798	DOWTY WASHER	1.0	EA

**THROTTLE ASSEMBLY**



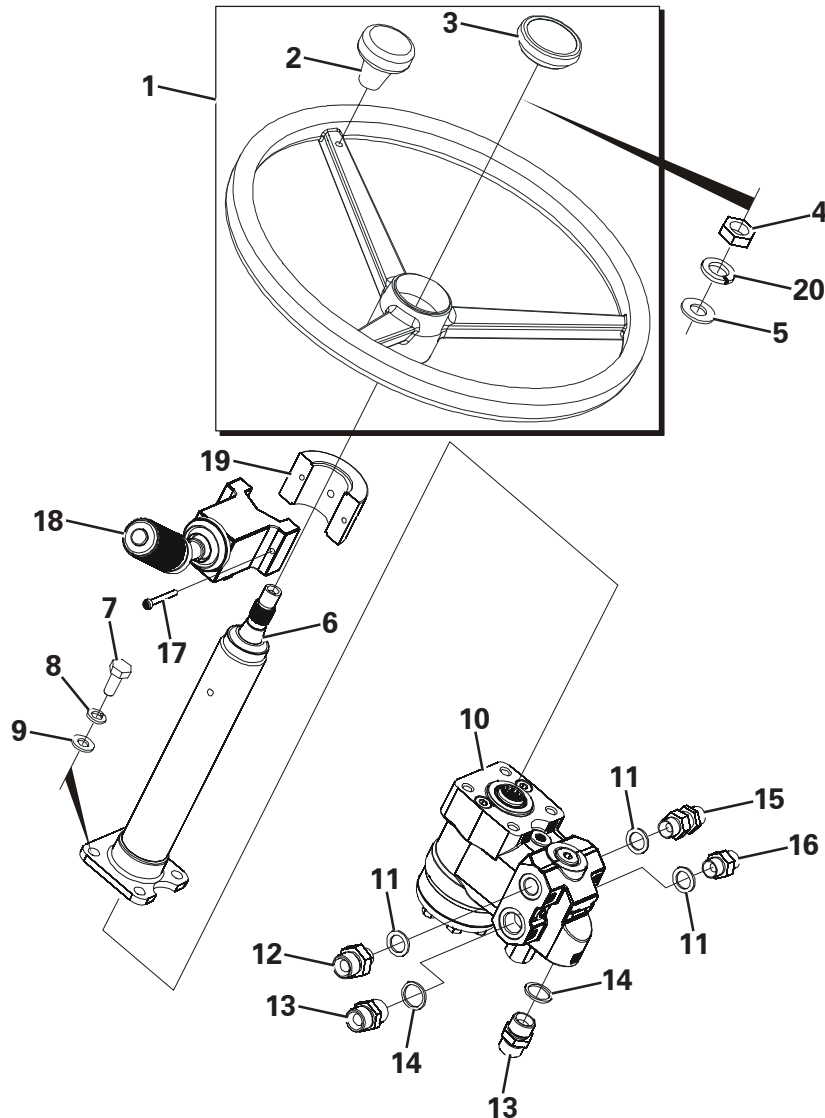
Item	Part No.	Description	Qty	U/M
1	T12823	BOLT	1.0	EA
2	T9775	NUT	1.0	EA
3	T101032	THROTTLE STOP	1.0	EA
4	T15830	HEAVY DUTY WASHER	4.0	EA
5	T16481	NYLOC NUT	3.0	EA
6	T101965	THROTTLE PEDAL	1.0	EA
7	T16477	SET SCREW	2.0	EA
8	T10431	NUT	4.0	EA
9	T14837	SPRING WASHER	2.0	EA
10	T101785	THROTTLE CABLE	1.0	EA
11	T16192	AMEL END	2.0	EA
12	T17157	BOLT	1.0	EA
13	T12972	SPRING WASHER	3.0	EA
14	T101768	THROTTLE SPRING MTG	1.0	EA
15	T18452	SPRING	1.0	EA
16	T101273	THROTTLE CABLE REACTION	1.0	EA
17	T7465	SET SCREW	2.0	EA



**LEG GUARD ASSEMBLY**

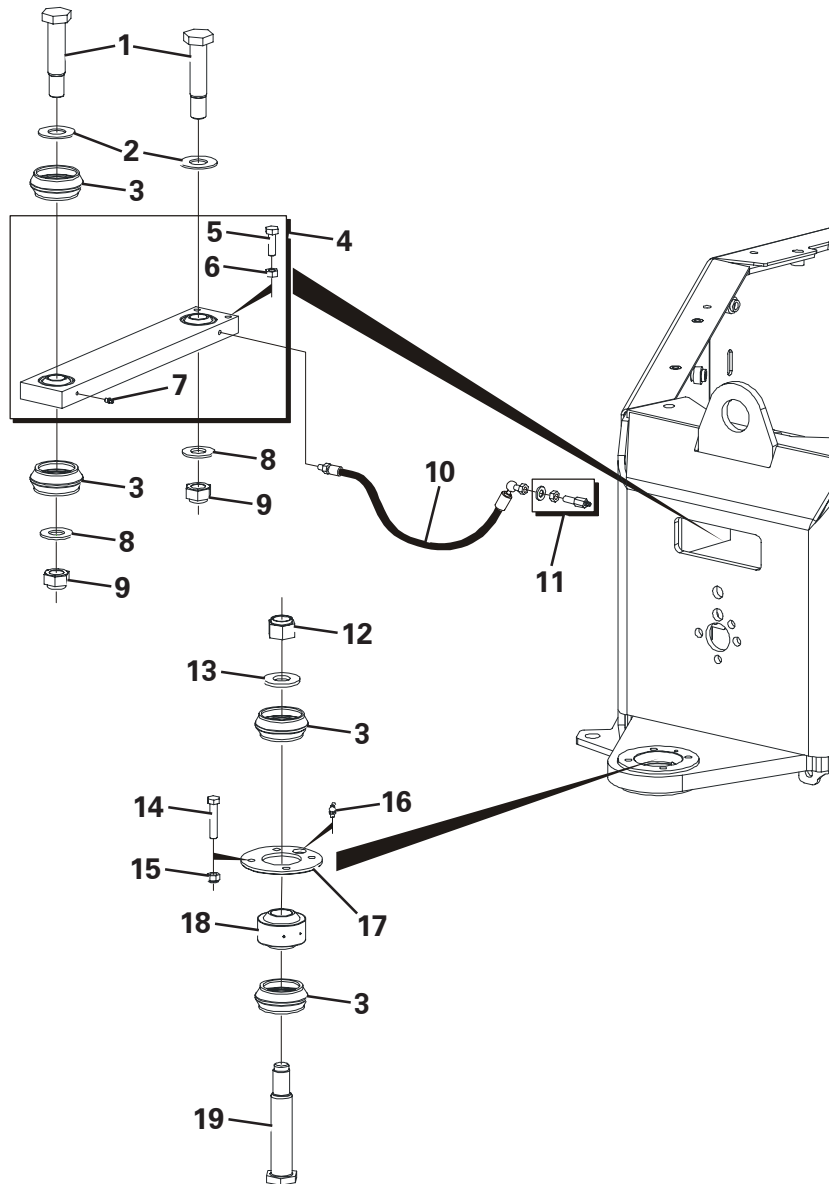
Item	Part No.	Description	Qty	U/M
1	T100315	DOME HEAD SCREW	4.0	EA
2	T13911	WASHER	8.0	EA
3	T100506	CLAMPING STRIP	1.0	EA
4	T100320	SEALING GASKET	1.0	EA
5	T100355	STEERING COLUMN GROMMET	1.0	EA
6	T16492	PAN HEAD SCREW	4.0	EA
7	T100540	SPLASH GUARD	1.0	EA
8	T102732	LEG GUARD ASSY	1.0	EA
9	T52795	E J TRIM	1.0	EA
10	T16505	SET SCREW	2.0	EA
11	T10734	HEAVY DUTY WASHER	5.0	EA
12	T20618	SET SCREW	3.0	EA
13	T12694	SET SCREW	1.0	EA
14	T9345	HEAVY DUTY WASHER	4.0	EA
15	T13457	NYLOC NUT	1.0	EA
16	T100699	RETAINING CABLE	1.0	EA
17	T102999	OPERATOR BOOK	1.0	EA
18	T10917	SET SCREW	4.0	EA
19	T14837	SPRING WASHER	4.0	EA
20	T15830	HEAVY DUTY WASHER	6.0	EA
21	T100159	INNER LEG GUARD	1.0	EA
22	T10431	NUT	2.0	EA

**STEERING ASSEMBLY**



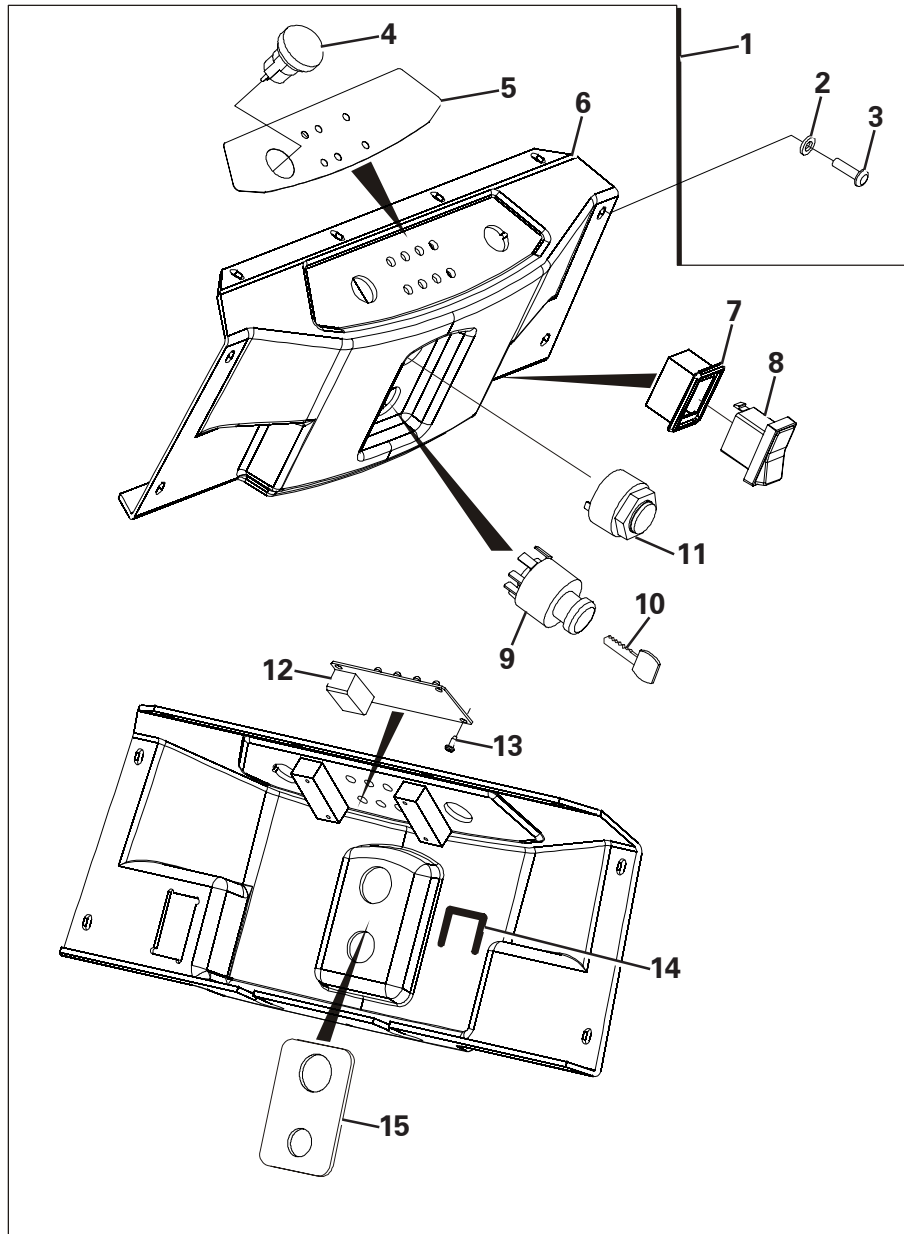
Item	Part No.	Description	Qty	U/M
1	T100496	STEERING WHEEL	1.0	EA
2	T53958	SPINNER KNOB	1.0	EA
3	T53959	CENTRE CAP	1.0	EA
4	T53853	NUT	1.0	EA
5	T6765	WASHER	1.0	EA
6	T100015	STEERING COLUMN	1.0	EA
7	T20618	SET SCREW	4.0	EA
8	T13362	SPRING WASHER	4.0	EA
9	T15819	WASHER	4.0	EA
10	T102911	STEERING PRIORITY VALVE	1.0	EA
	T53880	SEAL KIT	1.0	EA
11	T5637	DOWTY WASHER	3.0	EA
12	T11165	ADAPTOR	1.0	EA
13	T13936	ADAPTOR	2.0	EA
14	T5596	DOWTY WASHER	2.0	EA
15	T100392	ADAPTOR	1.0	EA
16	T13606	ADAPTOR	1.0	EA
17	T100742	SOCKET HEAD CAP SCREW	2.0	EA
18	T100628	COLUMN SWITCH	1.0	EA
19	T19611	COLUMN SWITCH CLAMP	1.0	EA
20	T100387	SPRING WASHER	1.0	EA

**KINGLINK ASSEMBLY**



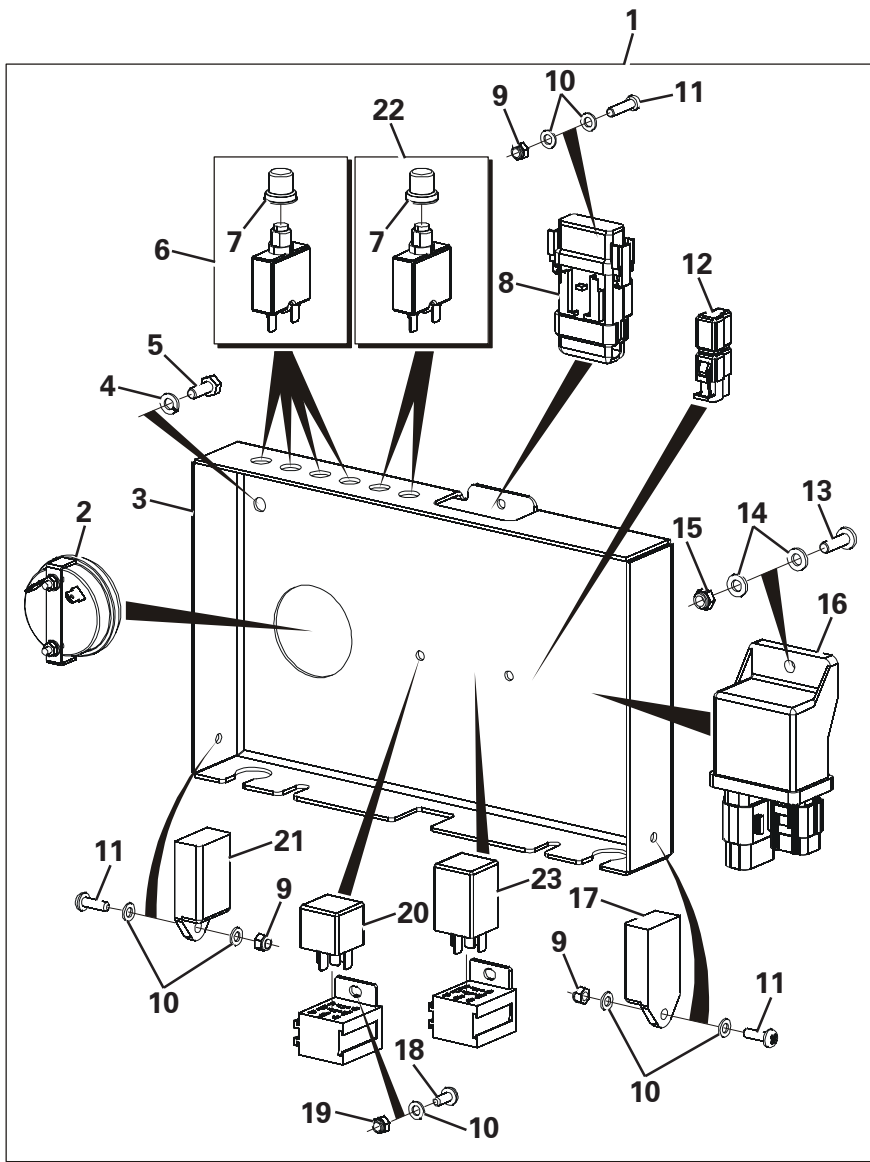
Item	Part No.	Description	Qty	U/M
1	T100593	TOP PIVOT BOLT	2.0	EA
2	T6768	WASHER	2.0	EA
3	T10160	RUBBER DUST SEAL	4.0	EA
4	T52796	KINGLINK ASSEMBLY	1.0	EA
5	T16505	SET SCREW	2.0	EA
6	T12509	NUT	2.0	EA
7	T16586	GREASE NIPPLE	1.0	EA
8	T11811	HEAVY DUTY WASHER	2.0	EA
9	T10143	NUT	2.0	EA
10	T100727	GREASE PIPE	1.0	EA
11	T100390	GREASE NIPPLE ASSEMBLY	1.0	EA
12	T10331	LOCKNUT	1.0	EA
13	T7695	HEAVY DUTY WASHER	1.0	EA
14	T101725	BOLT	4.0	EA
15	T101724	NYLOC NUT	4.0	EA
16	T16588	GREASE NIPPLE	1.0	EA
17	T100527	LOWER BEARING CAP	1.0	EA
18	T100268	SPHERICAL BEARING	1.0	EA
19	T101037	PIVOT BOLT	1.0	EA

**DASH PANEL ASSEMBLY**



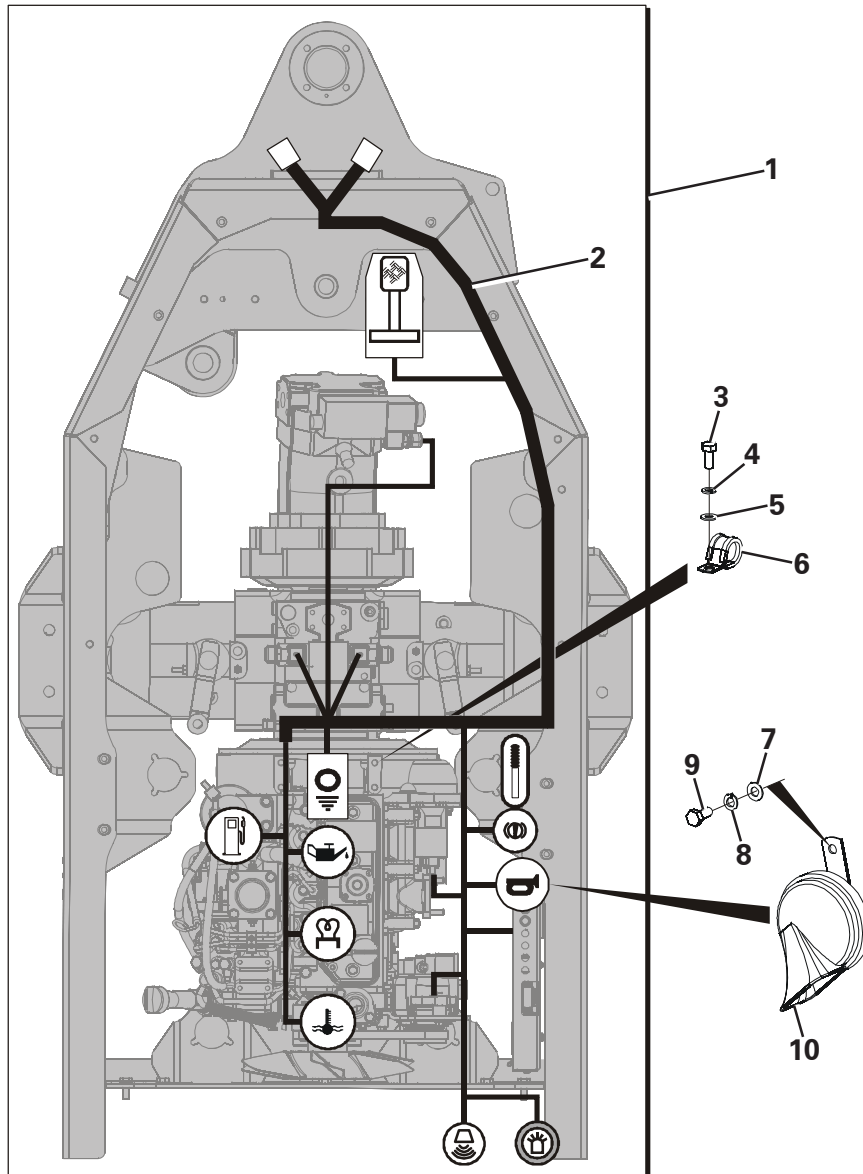
Item	Part No.	Description	Qty	U/M
1	T102835	ELECTRICAL SYSTEM	1.0	EA
2	T13911	WASHER	4.0	EA
3	T100315	DOME HEAD SCREW	4.0	EA
4	T52302	HORN PUSH	1.0	EA
5	T100635	CONSOLE DECAL	1.0	EA
6	T102797	DASHPANEL MOULDING	1.0	EA
7	T102798	SWITCH MOULDING PANEL	1.0	EA
8	T100046	SWITCH HAZARD	1.0	EA
9	T102451	IGNITION SWITCH	1.0	EA
10	T50479	STARTER SWITCH KEY	1.0	EA
11	T100902	BUZZER	1.0	EA
12	T101128	LED MODULE	1.0	EA
13	T101135	SCREW	4.0	EA
14	T101590	ZENER DIODE	1.0	EA
15	T102459	BACK PLATE IGNITION SWITCH	1.0	EA

**ELECTRICS BOX**



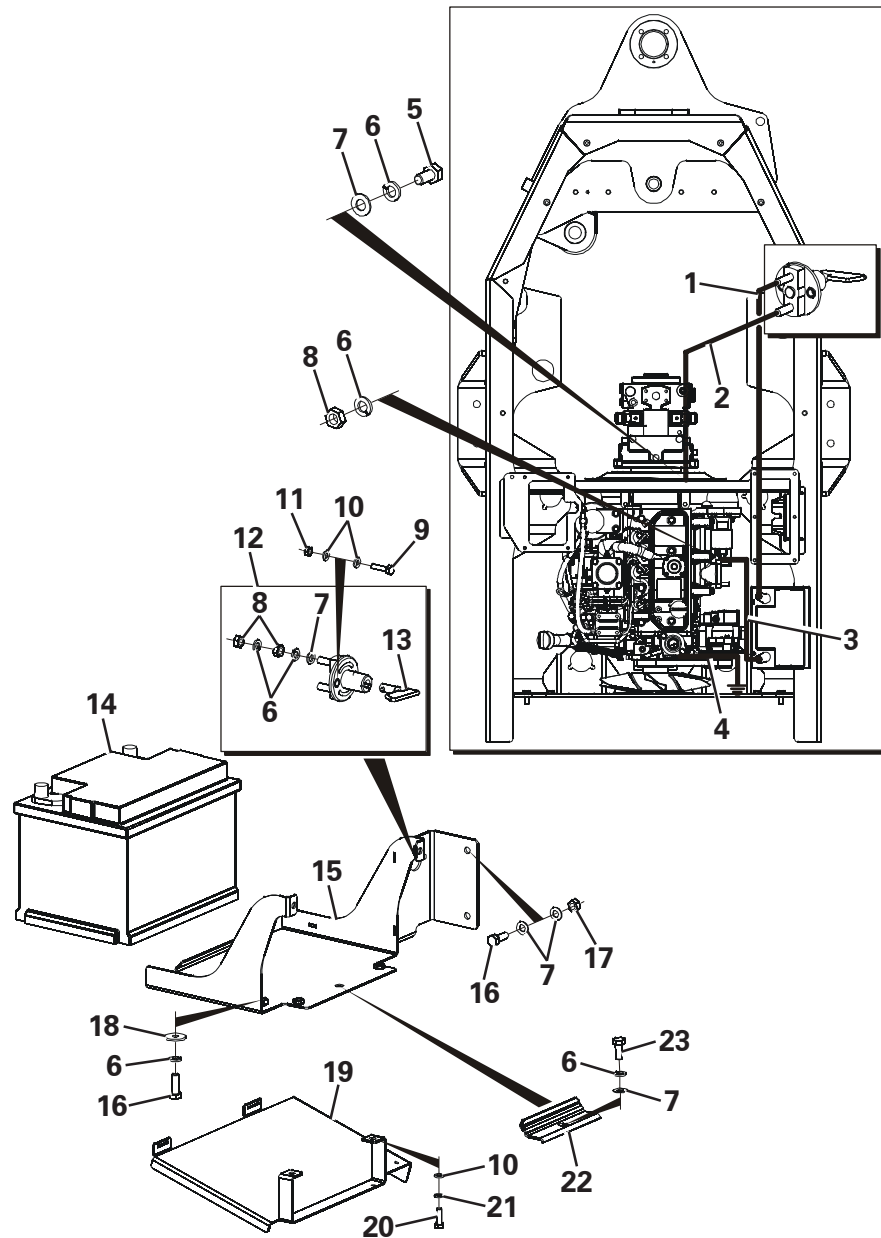
Item	Part No.	Description	Qty	U/M
1		Part of ITEM 1 on PAGE 17		
2	T16538	HOURMETER	1.0	EA
3	T102711	ELECTRICS BOX	1.0	EA
4	T14837	SPRING WASHER	2.0	EA
5	T10917	SET SCREW	2.0	EA
6	T102845	CIRCUIT BREAKER 18A	4.0	EA
7	T102846	CIRCUIT BREAKER SPLASHGUARD	6.0	EA
8	T101450	MAXIFUSE 30AMP	1.0	EA
9	T16613	NYLOC NUT	3.0	EA
10	T16612	WASHER	8.0	EA
11	T16611	CHEESE HEAD SCREW	3.0	EA
12	T52724	DIODE	1.0	EA
13	T16492	PAN HEAD SCREW	1.0	EA
14	T13911	WASHER	2.0	EA
15	T16481	NYLOC NUT	1.0	EA
16	T101777	SAFETY RELAY	1.0	EA
17	T52725	GLOW PLUG - TIMER	1.0	EA
18	T103120	SET SCREW	2.0	EA
19	T13467	NUT	2.0	EA
20	T101129	RELAY	3.0	EA
21	T52726	STOP SOLENOID - TIMER	1.0	EA
22	T102844	CIRCUIT BREAKER 5A	2.0	EA
23	T101130	FLASHER UNIT	1.0	EA

**ENGINE HARNESS**



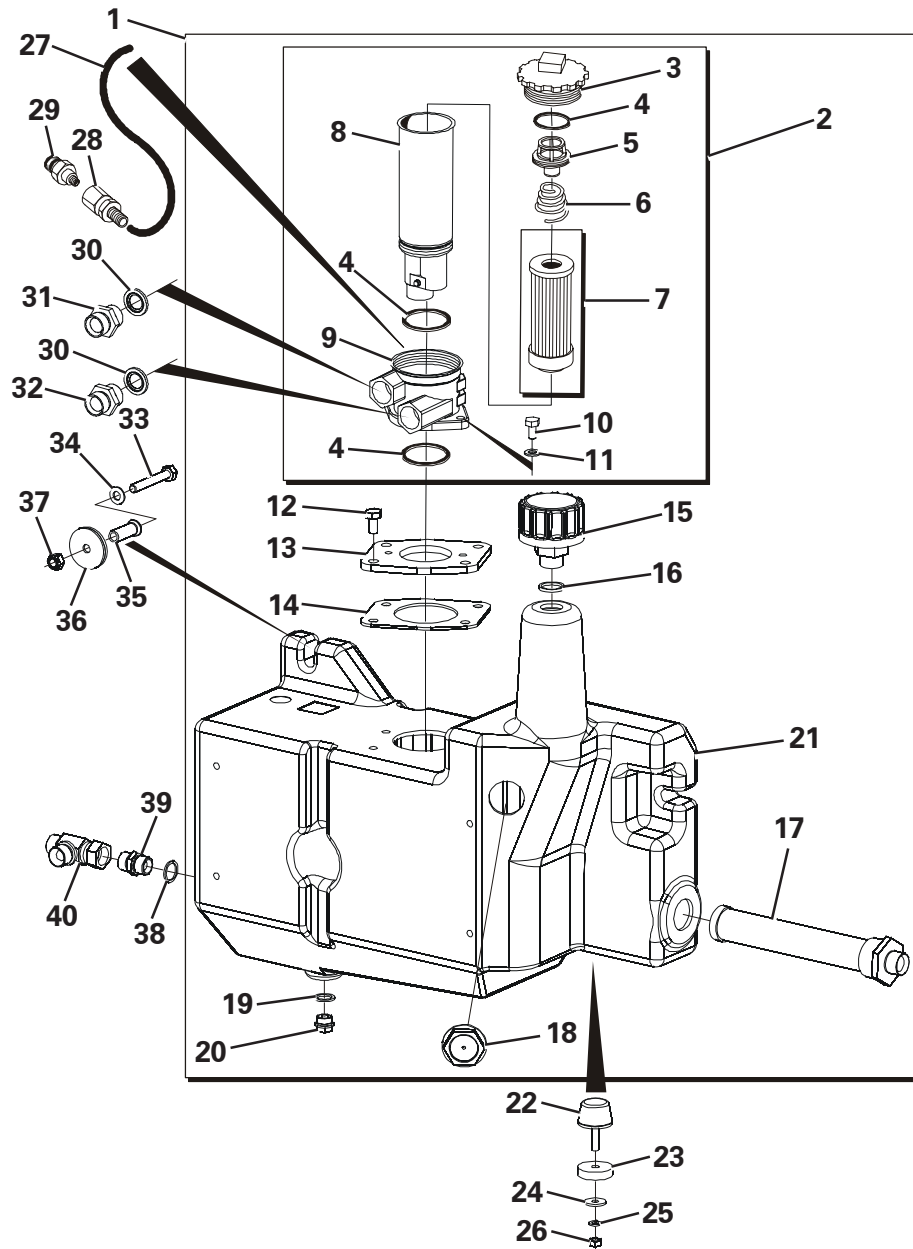
Item	Part No.	Description	Qty	U/M
1		Part of ITEM 1 on PAGE 17		
2	T102834	ENGINE/PANEL LOOM	1.0	EA
3	T7466	SET SCREW	1.0	EA
4	T13362	SPRING WASHER	1.0	EA
5	T10734	HEAVY DUTY WASHER	1.0	EA
6	T9914	P CLIP	1.0	EA
7	T12973	WASHER	1.0	EA
8	T12972	SPRING WASHER	1.0	EA
9	T7465	SET SCREW	1.0	EA
10	T100017	HORN	1.0	EA

**BATTERY BOX ASSEMBLY**



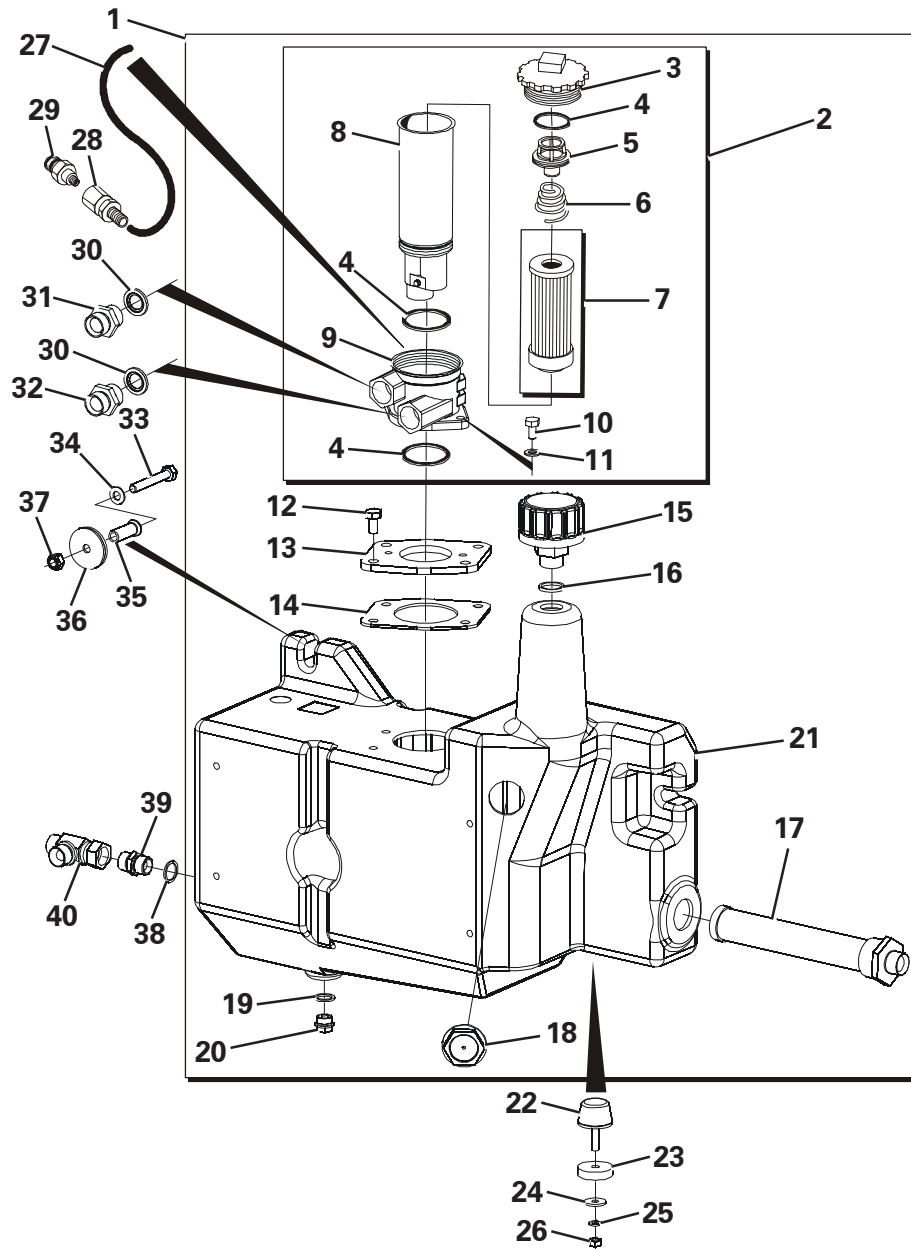
Item	Part No.	Description	Qty	U/M
1	T102701	BATTERY NEGATIVE CABLE	1.0	EA
2	T102702	ISOLATOR CABLE	1.0	EA
3	T102700	BATTERY POSITIVE CABLE	1.0	EA
4	T100665	EARTH LEAD	1.0	EA
5	T11673	SET SCREW	1.0	EA
6	T12972	SPRING WASHER	9.0	EA
7	T12973	WASHER	8.0	EA
8	T9775	NUT	5.0	EA
9	T16476	SET SCREW	2.0	EA
10	T13911	WASHER	6.0	EA
11	T16481	NYLOC NUT	2.0	EA
12	T20846	BATTERY ISOLATOR SWITCH	1.0	EA
13	T52600	KEY	1.0	EA
14	T100967	BATTERY	1.0	EA
15	T102712	BATTERY BASE PLATE ASSY	1.0	EA
16	T12694	SET SCREW	4.0	EA
17	T13457	NYLOC NUT	2.0	EA
18	T9345	HEAVY DUTY WASHER	2.0	EA
19	T102710	HEAT SHIELD	1.0	EA
20	T16477	SET SCREW	2.0	EA
21	T14837	SPRING WASHER	2.0	EA
22	T102877	BATTERY CLAMP	1.0	EA
23	T7465	SET SCREW	1.0	EA

**HYDRAULIC TANK ASSEMBLY**



Item	Part No.	Description	Qty	U/M
1	T101082	HYD TANK ASSY	1.0	EA
2	T52497	RETURN FILTER	1.0	EA
3	T52948	COVER	1.0	EA
4	T52954	SEAL KIT	1.0	EA
5	T52949	SEPERATION PLATE	1.0	EA
6	T52950	SPRING	1.0	EA
7	T52692	HYDRAULIC FILTER	1.0	EA
8	T52951	BOWL	1.0	EA
9	T52952	HEAD	1.0	EA
10	T52599	FIXING BOLT	2.0	EA
11	T15819	PLAIN WASHER	2.0	EA
12	T52598	FIXING BOLT	2.0	EA
13	T52814	FILTER SEALING PLATE	1.0	EA
14	T52495	FILTER SEALING GASKET	1.0	EA
15	T52496	FILLER / BREATHER	1.0	EA
16	T5594	HYD SEAL	1.0	EA
17	T101240	SUCTION STRAINER	1.0	EA
18	T101085	LEVEL INDICATOR	1.0	EA
19	T5830	FIBRE WASHER	1.0	EA
20	T102431	DRAIN PLUG	1.0	EA

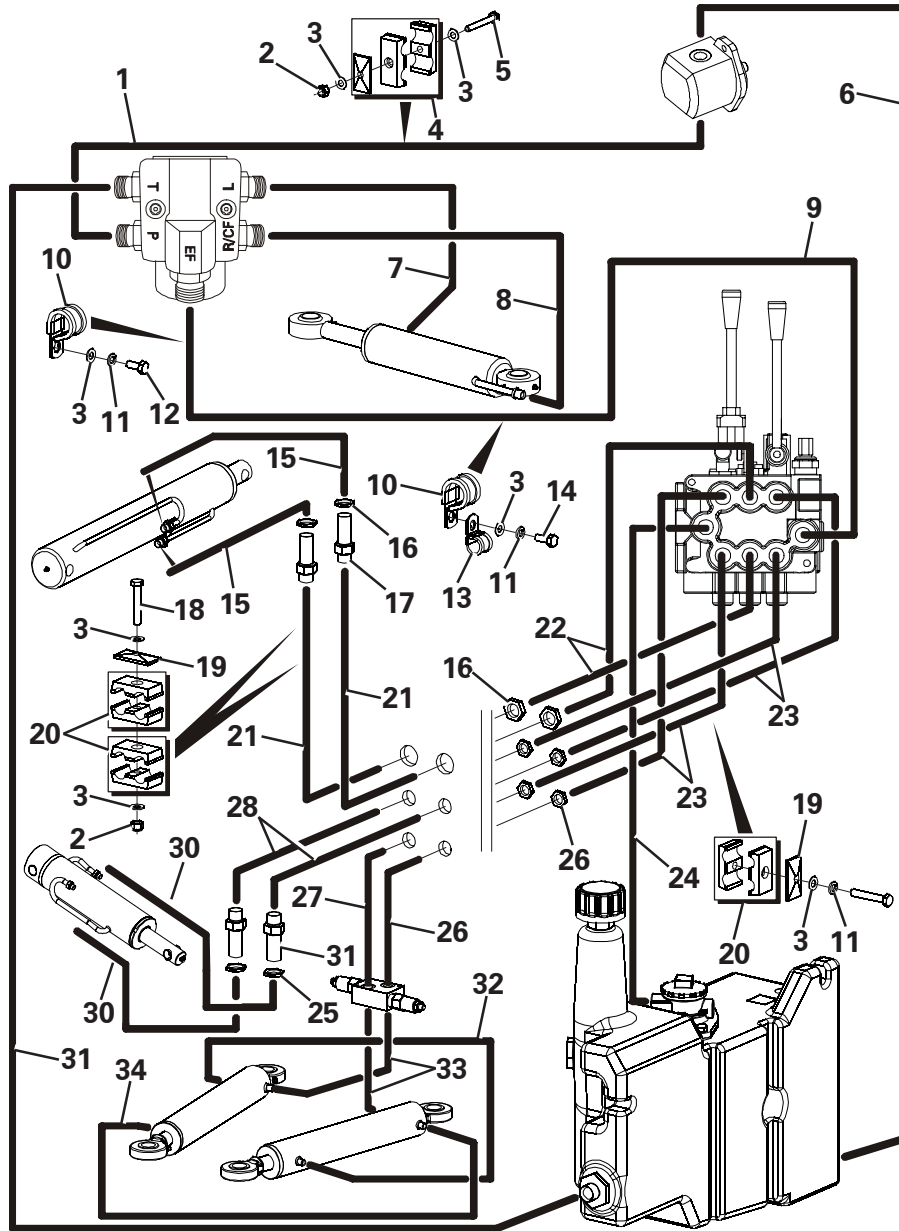
**HYDRAULIC TANK ASSEMBLY**



Item	Part No.	Description	Qty	U/M
21	T101080	MOULDED HYD TANK	1.0	EA
22	T100214	RUBBER BUFFER	2.0	EA
23	T101168	TANK MOUNTING SPACER	2.0	EA
24	T9345	HEAVY DUTY WASHER	2.0	EA
25	T12972	SPRING WASHER	2.0	EA
26	T9775	NUT	2.0	EA
27	T100354	GREASE PIPE	1.0	EA
28	T101387	ADAPTOR	1.0	EA
29	T52953	INDICATOR	1.0	EA
30	T6169	DOWTY WASHER	2.0	EA
31	T16972	ADAPTOR	1.0	EA
32	T101638	ADAPTOR	1.0	EA
33	T17963	BOLT	2.0	EA
34	T10734	HEAVY DUTY WASHER	2.0	EA
35	T100372	TANK SPACER	2.0	EA
36	T100323	WASHER RUBBER BACKED	2.0	EA
37	T13064	PHILIDAS NUT	2.0	EA
38	T5596	DOWTY WASHER	1.0	EA
39	T13936	ADAPTOR	1.0	EA
40	T15532	TEE PIECE	1.0	EA



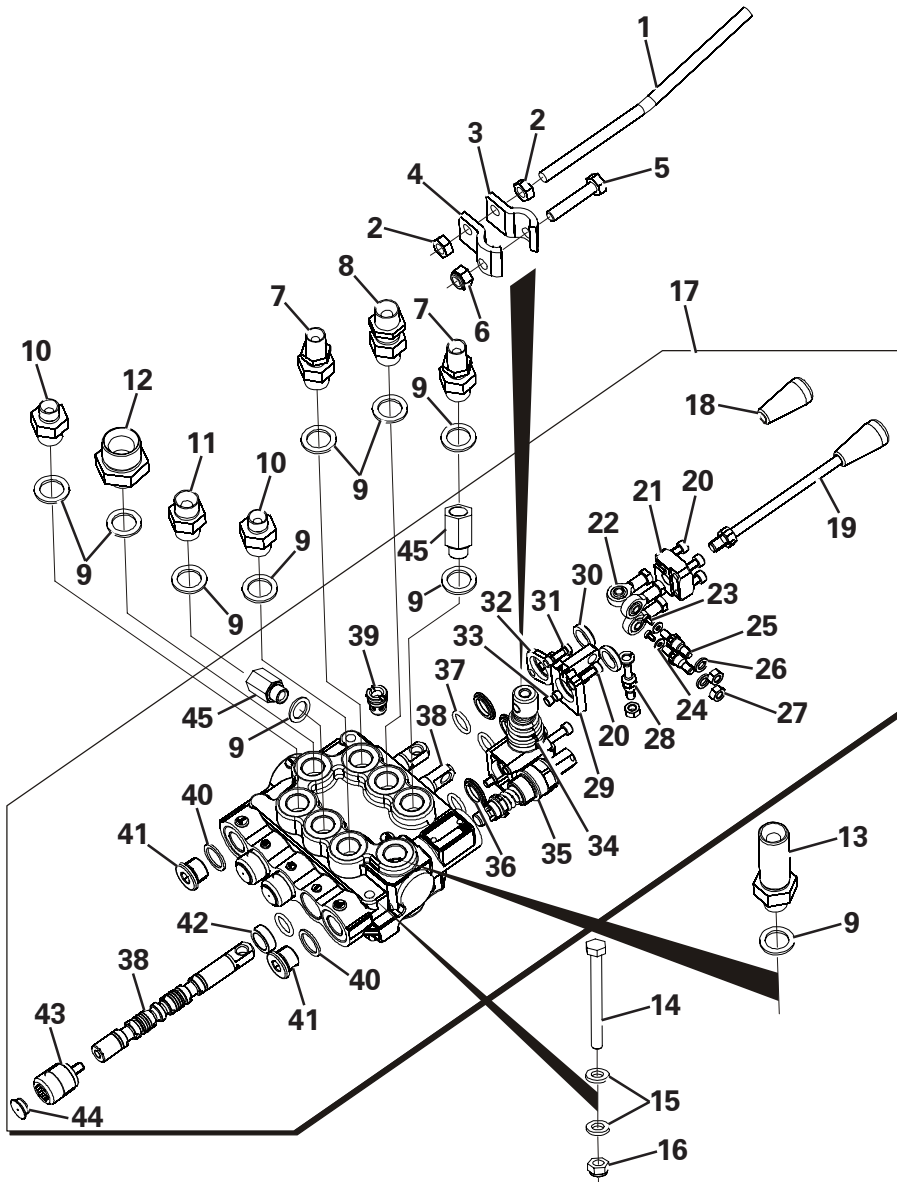
HYDRAULIC CIRCUIT



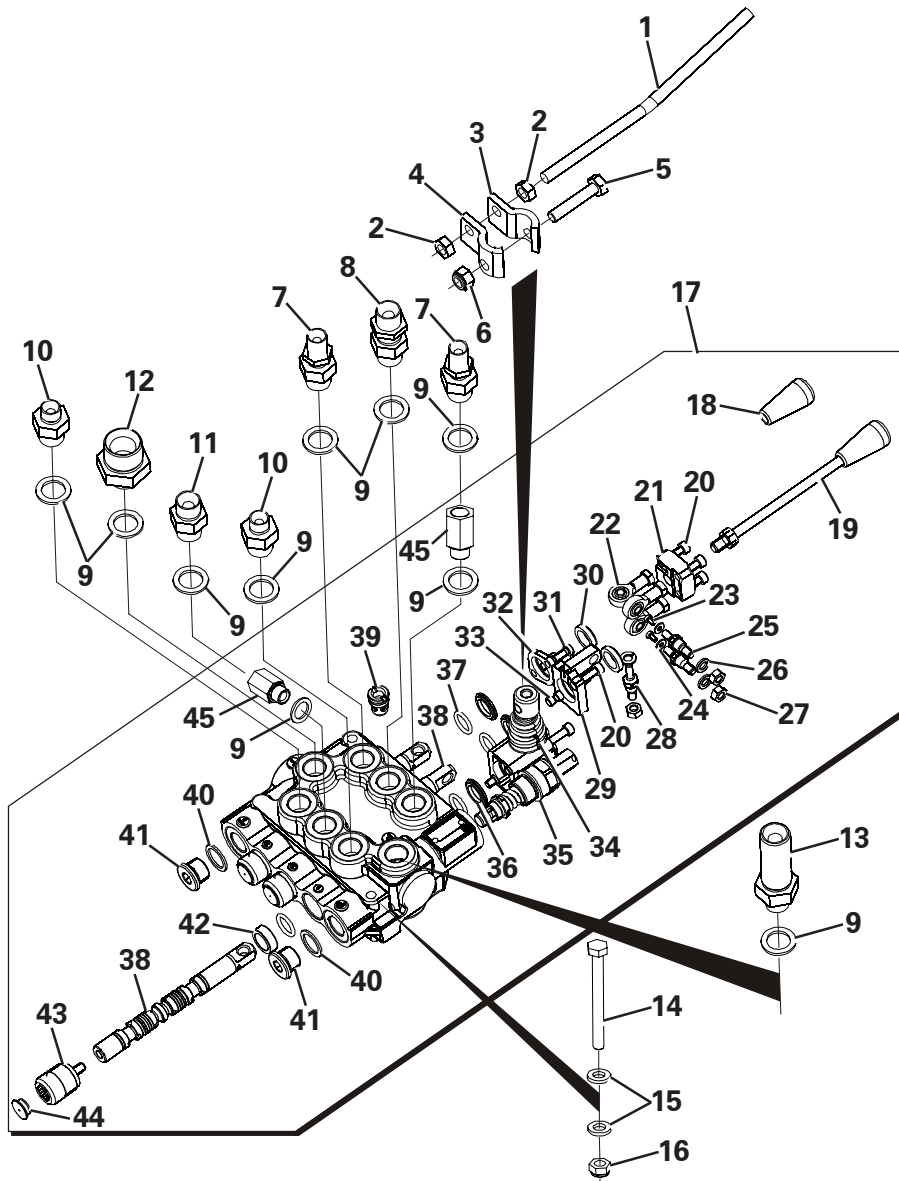
Item	Part No.	Description	Qty	U/M
18	T16496	BOLT	2.0	EA
19	T102170	CLAMP COVER PLATE	3.0	EA
20	T102406	CLAMP	5.0	EA
21	T100721	HOSE	2.0	EA
22	T101216	HOSE	2.0	EA
23	T101217	HOSE	4.0	EA
24	T102977	HOSE	1.0	EA
25	T9471	LOCKNUT	6.0	EA
26	T102950	HOSE	1.0	EA
27	T102951	HOSE	1.0	EA
28	T101344	HOSE	2.0	EA
29	T12483	ADAPTOR	2.0	EA
30	T101223	HOSE	2.0	EA
31	T101215	HOSE	1.0	EA
32	T100189	HOSE	1.0	EA
33	T18963	HOSE	2.0	EA
34	T100190	HOSE	1.0	EA

**TIPPING VALVE ASSEMBLY**

Item	Part No.	Description	Qty	U/M
1	T101400	TIPPING VALVE LEVER	1.0	EA
2	T9775	NUT	2.0	EA
3	T101380	VALVE LEVER CLAMP PLATE RH	1.0	EA
4	T101379	VALVE LEVER CLAMP PLATE LH	1.0	EA
5	T101459	SET SCREW	1.0	EA
6	T13457	NYLOC NUT	1.0	EA
7	T101243	ADAPTOR	2.0	EA
8	T100392	ADAPTOR	1.0	EA
9	T5637	DOWTY WASHER	10.0	EA
10	T13888	ADAPTOR	2.0	EA
11	T13606	ADAPTOR	1.0	EA
12	T101242	ADAPTOR	1.0	EA
13	T102282	ADAPTOR	1.0	EA
14	T17823	BOLT	2.0	EA
15	T13911	WASHER	4.0	EA
16	T16481	NYLOC NUT	2.0	EA
17	T102283	TIPPING VALVE	1.0	EA
18	T53825	HANDLE KNOB	1.0	EA
19	T53352	LEVER	1.0	EA
20	T53351	SCREW	5.0	EA
21	T53350	PLATE JOYSTICK	1.0	EA
22	T53349	SWIVEL PIN	3.0	EA

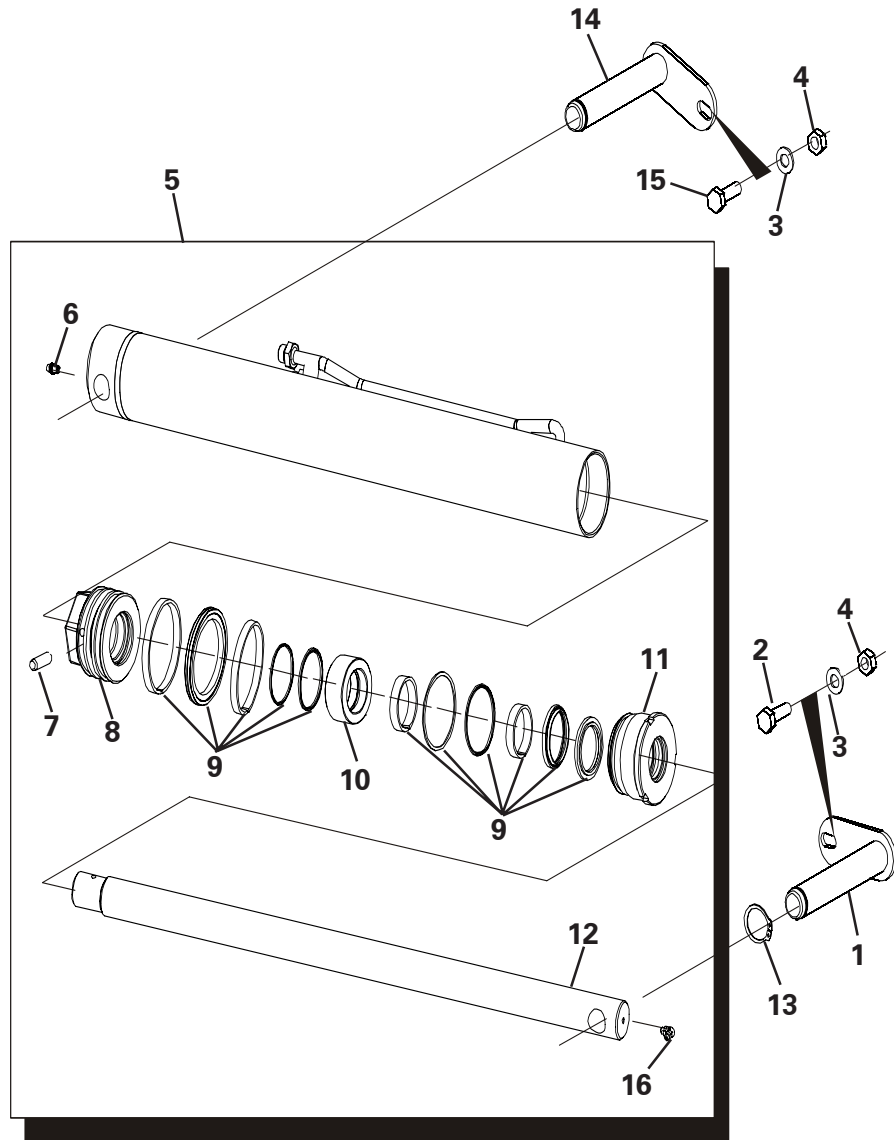


**TIPPING VALVE ASSEMBLY**



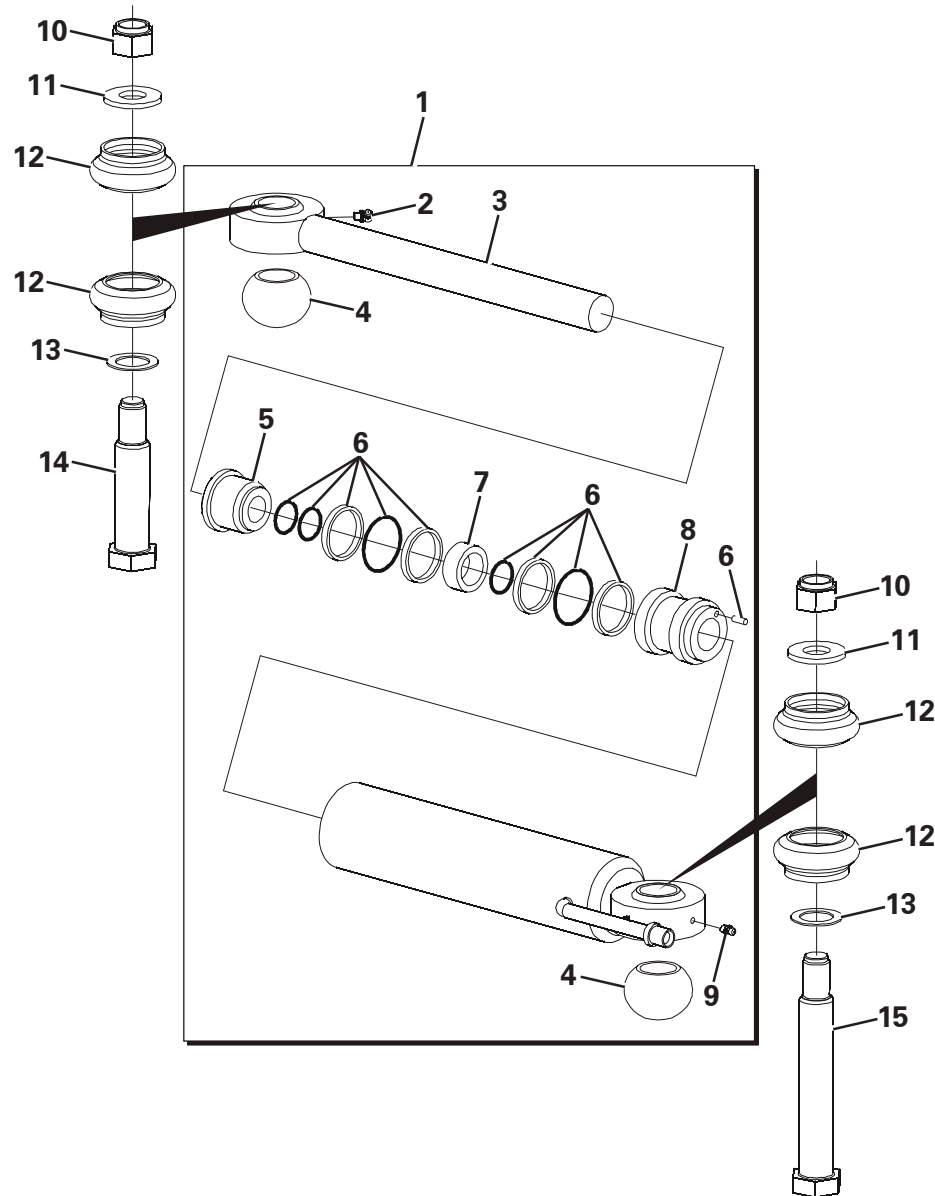
Item	Part No.	Description	Qty	U/M
23	T53343	SOCKET SCREW	2.0	EA
24	T53344	WASHER	2.0	EA
25	T53347	SPOOL JOYSTICK	1.0	EA
26	T53346	SPRING WASHER	3.0	EA
27	T53345	NUT	3.0	EA
28	T53348	SPOOL JOYSTICK	2.0	EA
29	T53341	LEVER BASE	1.0	EA
30	T53342	SEAL	2.0	EA
31	T53339	ONE-SLOT SCREW	2.0	EA
32	T53889	FLANGED WASHER	1.0	EA
33	T53340	DOWEL BUSH	2.0	EA
34	T53311	LEVER ASSEMBLY	1.0	EA
35	T52674	VALVE	1.0	EA
36	T53306	FLANGED WASHER	3.0	EA
37	T53304	SEAL	3.0	EA
38	T53332	SPOOL	2.0	EA
39	T53337	CHECK VALVE ASSEMBLY	1.0	EA
40	T53336	COPPER WASHER	3.0	EA
41	T53335	SCREW PLUG	3.0	EA
42	T53305	SPACER	3.0	EA
43	T53308	POSITIONER	3.0	EA
44	T53333	PLUG	3.0	EA
45	T102390	RESTRICTOR ADAPTOR	2.0	EA

**TIPPING RAM ASSEMBLY**



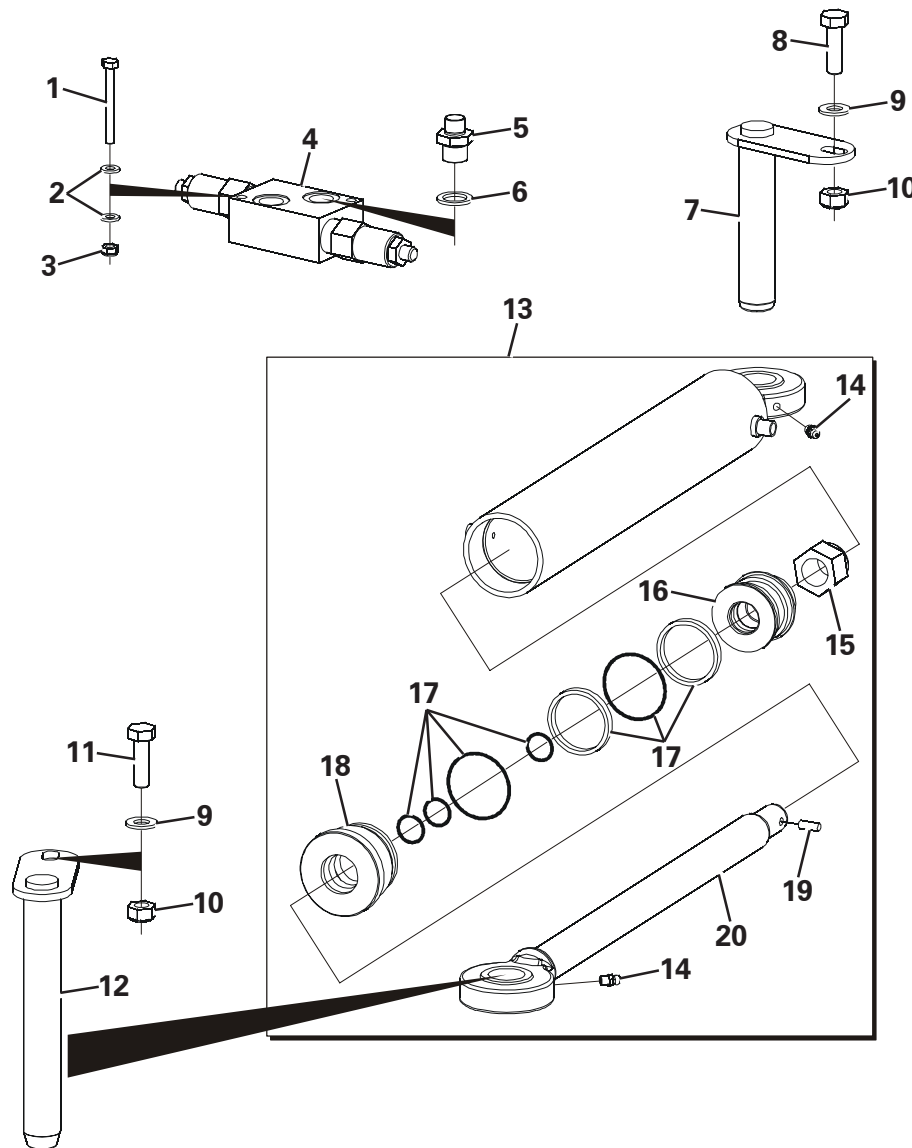
Item	Part No.	Description	Qty	U/M
1	T101019	PIVOT PIN	2.0	EA
2	T16505	SET SCREW	1.0	EA
3	T10734	HEAVY DUTY WASHER	2.0	EA
4	T13064	PHILIDAS NUT	2.0	EA
5	T104248	TIPPING RAM	1.0	EA
6	T53445	GREASE NIPPLE	1.0	EA
7	T54245	GRUB SCREW	1.0	EA
8	T54244	PISTON HEAD	1.0	EA
9	T54246	SEAL KIT	1.0	EA
10	T54236	SPACER	1.0	EA
11	T53491	GLAND	1.0	EA
12	T54243	ROD ASSEMBLY	1.0	EA
13	T8219	CIRCLIP	1.0	EA
14	T101524	PIVOT PIN	1.0	EA
15	T12761	BOLT	1.0	EA
16	T53489	GREASE NIPPLE	1.0	EA

**STEERING RAM ASSEMBLY**



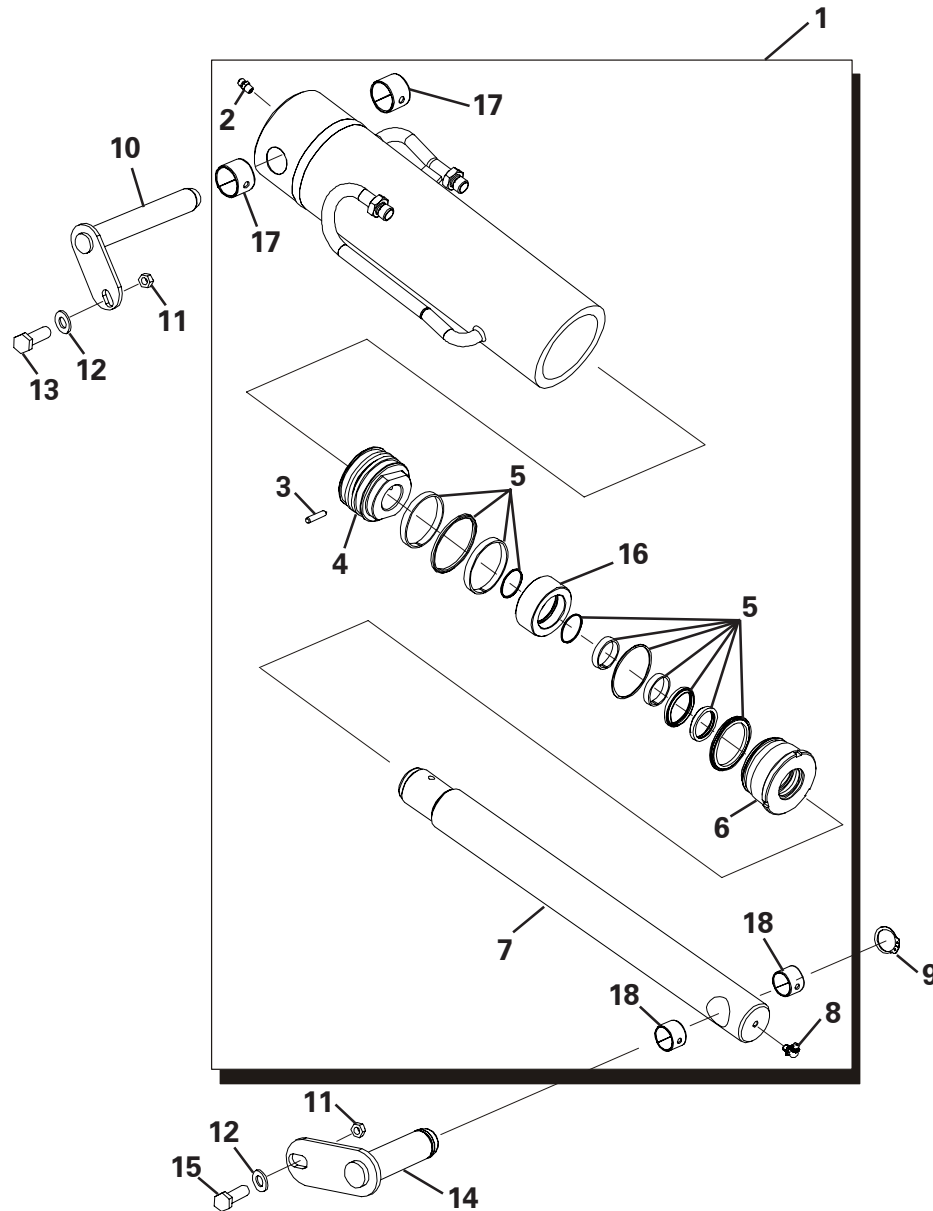
Item	Part No.	Description	Qty	U/M
1	T102156	STEERING RAM	1.0	EA
2	T53406	GREASE NIPPLE	1.0	EA
3	T53486	ROD ASSEMBLY	1.0	EA
4	T53379	SPHERICAL BEARING	2.0	EA
5	T53385	GLAND	1.0	EA
6	T53384	SEAL KIT	1.0	EA
7	T53487	SPACER	1.0	EA
8	T53386	PISTON HEAD	1.0	EA
9	T53477	GREASE NIPPLE	1.0	EA
10	T10331	PHILIDAS NUT	2.0	EA
11	T7695	HEAVY DUTY WASHER	2.0	EA
12	T101038	RAM DUST SEAL	4.0	EA
13	T8327	WASHER	2.0	EA
14	T101119	PIVOT BOLT	1.0	EA
15	T101311	PIVOT BOLT	1.0	EA

**SLEW RAM ASSEMBLY**



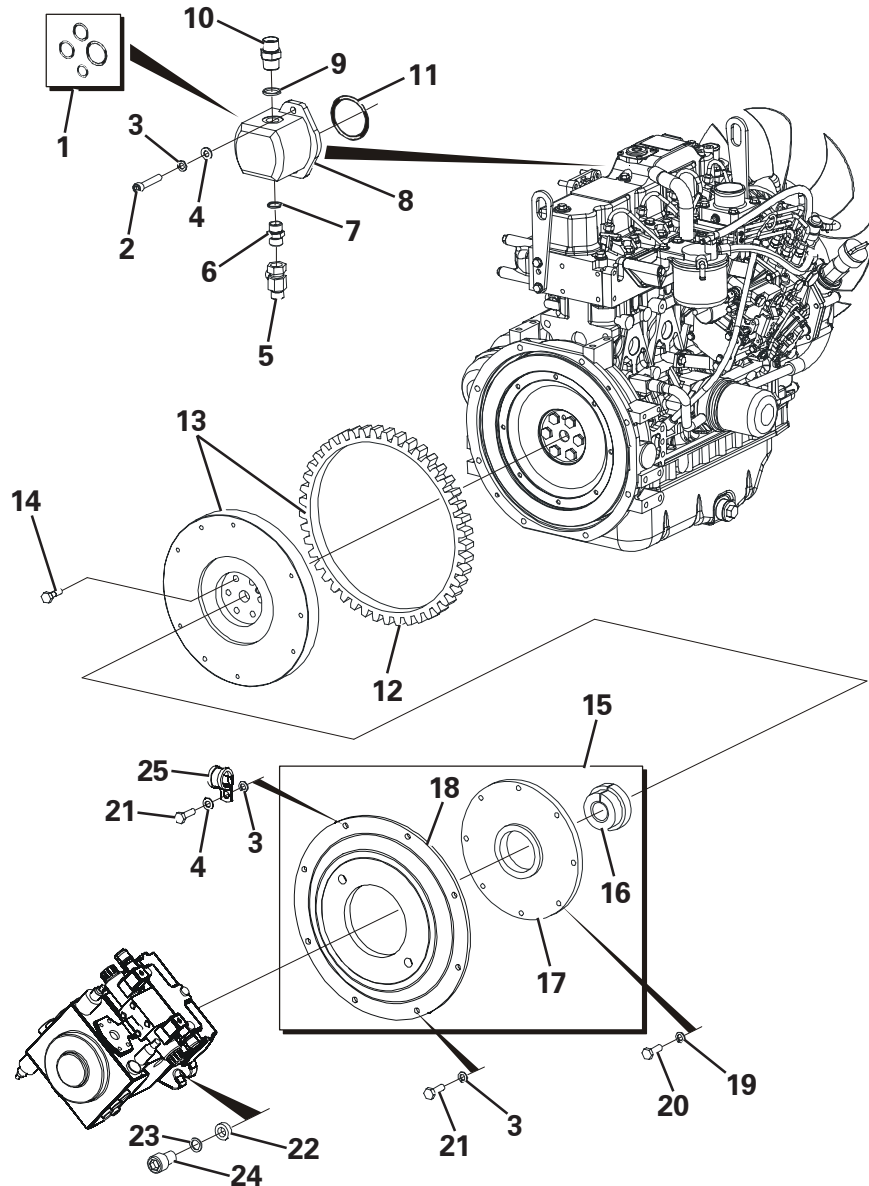
Item	Part No.	Description	Qty	U/M
1	T100388	BOLT	2.0	EA
2	T13911	WASHER	4.0	EA
3	T16481	NYLOC NUT	2.0	EA
4	T102719	DUAL CROSS LINE RELIEF VALVE	1.0	EA
5	T12118	ADAPTOR	4.0	EA
6	T5637	DOWTY WASHER	4.0	EA
7	T101524	PIVOT PIN	2.0	EA
8	T12761	BOLT	2.0	EA
9	T10734	HEAVY DUTY WASHER	4.0	EA
10	T13064	PHILIDAS NUT	4.0	EA
11	T16505	SET SCREW	2.0	EA
12	T101522	PIVOT PIN	2.0	EA
13	T102668	SLEW RAM	2.0	EA
14	T16586	GREASE NIPPLE	2.0	EA
15	T53883	CASTLE NUT	1.0	EA
16	T53882	PISTON HEAD	1.0	EA
17	T53495	SEAL KIT	1.0	EA
18	T53496	GLAND	1.0	EA
19	T53884	COTTER PIN	1.0	EA
20	T53970	ROD ASSEMBLY	1.0	EA

**LIFT RAM ASSEMBLY**



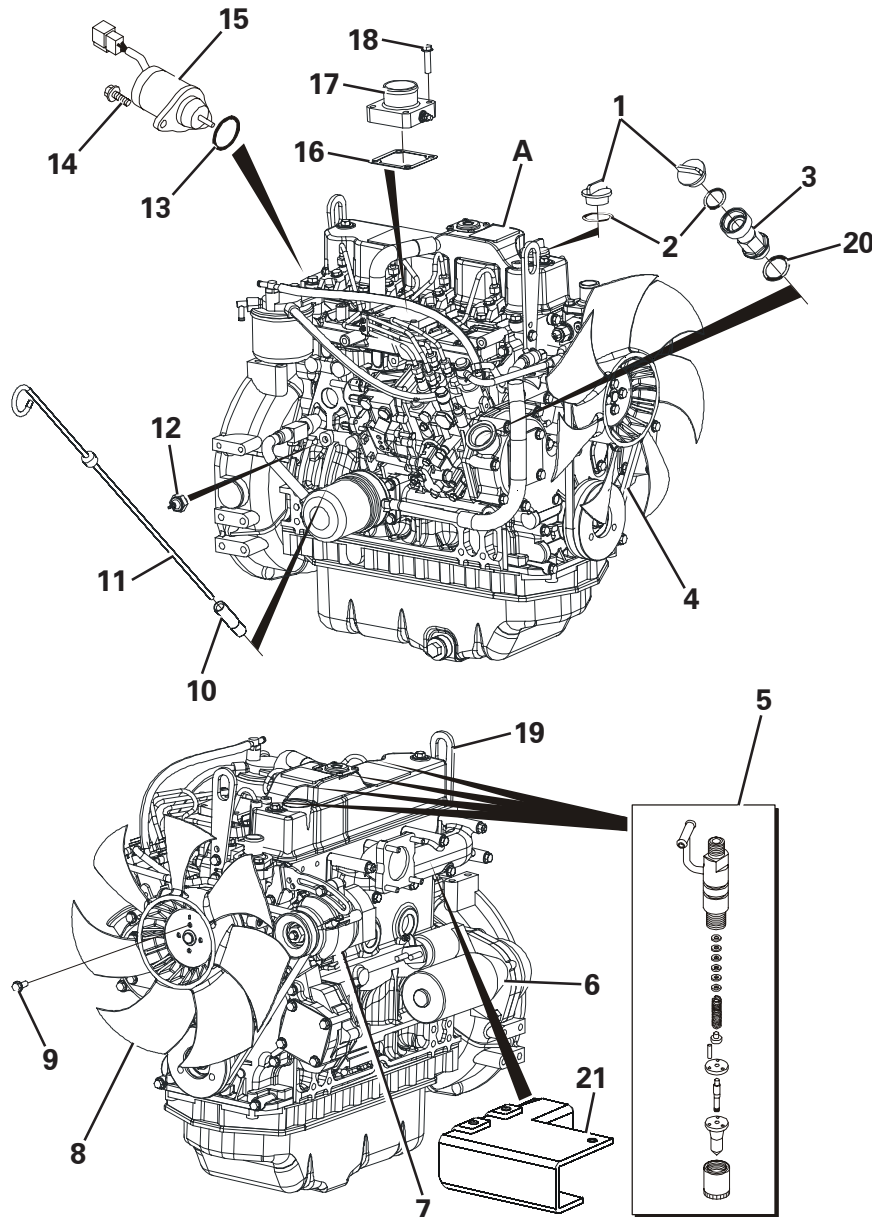
Item	Part No.	Description	Qty	U/M
1	T104247	LIFT RAM ASSEMBLY	1.0	EA
2	T53445	GREASE NIPPLE	1.0	EA
3	T54241	DOWEL PIN	1.0	EA
4	T54240	PISTON HEAD	1.0	EA
5	T54242	SEAL KIT	1.0	EA
6	T54239	GLAND	1.0	EA
7	T54235	ROD ASSEMBLY	1.0	EA
8	T53489	GREASE NIPPLE	1.0	EA
9	T8219	CIRCLIP	1.0	EA
10	T101522	LIFTING RAM PIM	1.0	EA
11	T13064	PHILIDAS NUT	2.0	EA
12	T10734	HEAVY DUTY WASHER	2.0	EA
13	T12761	SET SCREW	1.0	EA
14	T100994	TIPPING RAM PIN	1.0	EA
15	T16505	BOLT	1.0	EA
16	T54236	SPACER	1.0	EA
17	T54237	GLACIER BUSH	2.0	EA
18	T54238	GLACIER BUSH	2.0	EA

**TRANSMISSION DRIVE & HYD. PUMP**



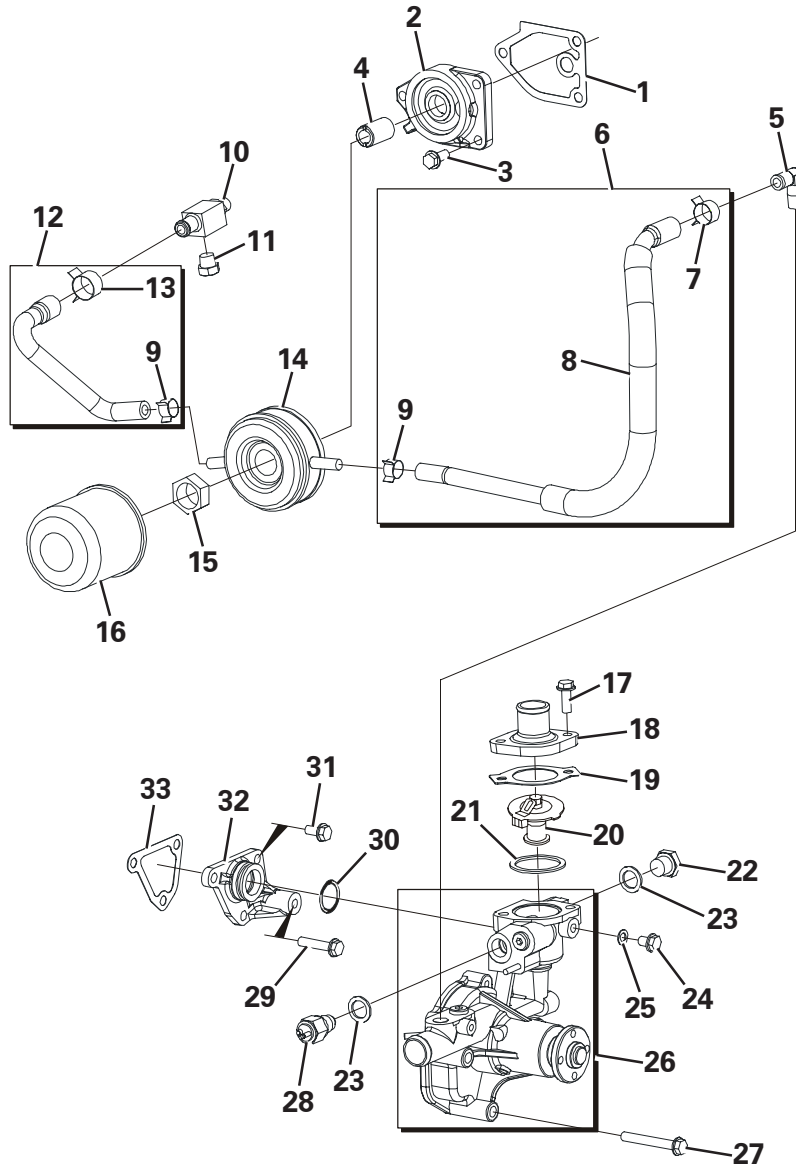
Item	Part No.	Description	Qty	U/M
1	T53881	SEAL KIT	1.0	EA
2	T103002	SOCKET HEAD CAP SCREW	2.0	EA
3	T13362	SPRING WASHER	10.0	EA
4	T15819	WASHER	3.0	EA
5	T18008	PRESSURE TEST POINT ADAPTOR	1.0	EA
6	T11165	ADAPTOR	1.0	EA
7	T5637	DOWTY WASHER	1.0	EA
8	T102926	GEAR PUMP	1.0	EA
9	T5594	DOWTY WASHER	1.0	EA
10	T101609	ADAPTOR	1.0	EA
11	T52891	O RING	1.0	EA
12	T52837	RING GEAR	1.0	EA
13	T102885	FLYWHEEL	1.0	EA
14	T52838	BOLT	6.0	EA
15	T102825	PUMP COUPLING	1.0	EA
16	T53949	HUB	1.0	EA
17	T53950	FLANGE	1.0	EA
18	T53167	MOUNTING PLATE	1.0	EA
19	T12972	SPRING WASHER	5.0	EA
20	T12694	SET SCREW	5.0	EA
21	T7466	SET SCREW	8.0	EA
22	T100794	WASHER	2.0	EA
23	T20699	SCHNORR WASHER	2.0	EA
24	T101394	SOCKET HEAD CAP SCREW	2.0	EA
25	T9914	P CLIP	1.0	EA

**ENGINE - ACCESSORIES**



Item	Part No.	Description	Qty	U/M
A	T102632	ENGINE	1.0	EA
1	T52816	CAP	2.0	EA
2	T52819	O RING	2.0	EA
3	T53142	PIPE ASSY	1.0	EA
4	T53282	BELT	1.0	EA
5	T53322	VALVE ASSEMBLY	3.0	EA
6	T53462	STARTER MOTOR	1.0	EA
7	T53263	GENERATOR	1.0	EA
8	T53320	FAN	1.0	EA
9	T53148	BOLT	4.0	EA
10	T53471	DIPSTICK GUIDE	1.0	EA
11	T53470	DIPSTICK	1.0	EA
12	T52832	OIL PRESSURE SWITCH	1.0	EA
13	T52829	O RING	1.0	EA
14	T52835	BOLT	2.0	EA
15	T52833	STOP SOLENOID	1.0	EA
16	T52824	GASKET	1.0	EA
17	T52823	HEATER	1.0	EA
18	T52825	BOLT	4.0	EA
19	T101247	ENGINE LIFTING EYE	1.0	EA
20	T53143	O RING	1.0	EA
21	T103167	EXHAUST HEAT SHIELD	1.0	EA

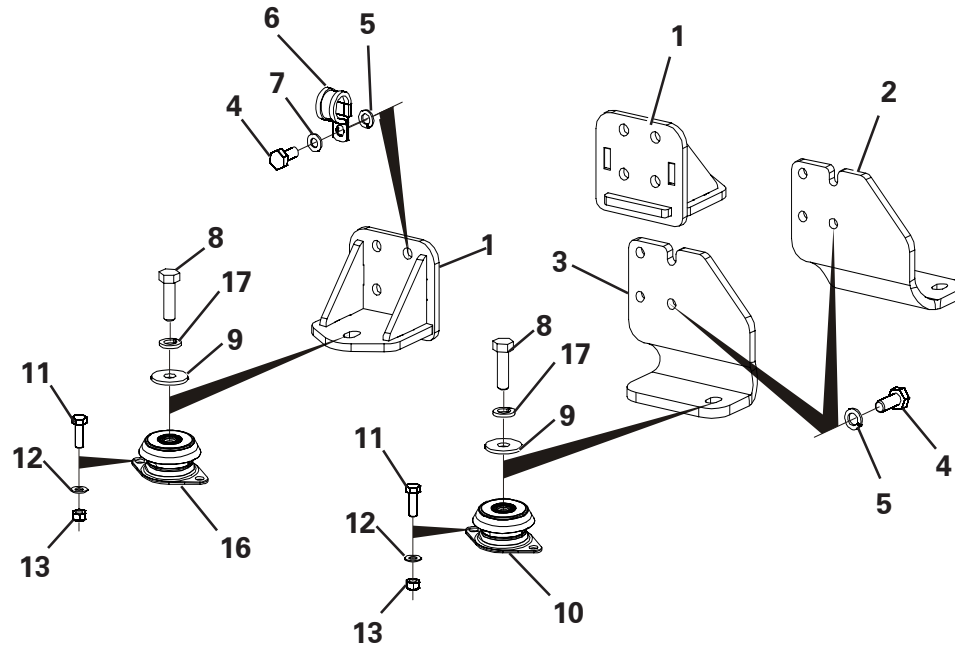
**ENGINE OIL COOLER**



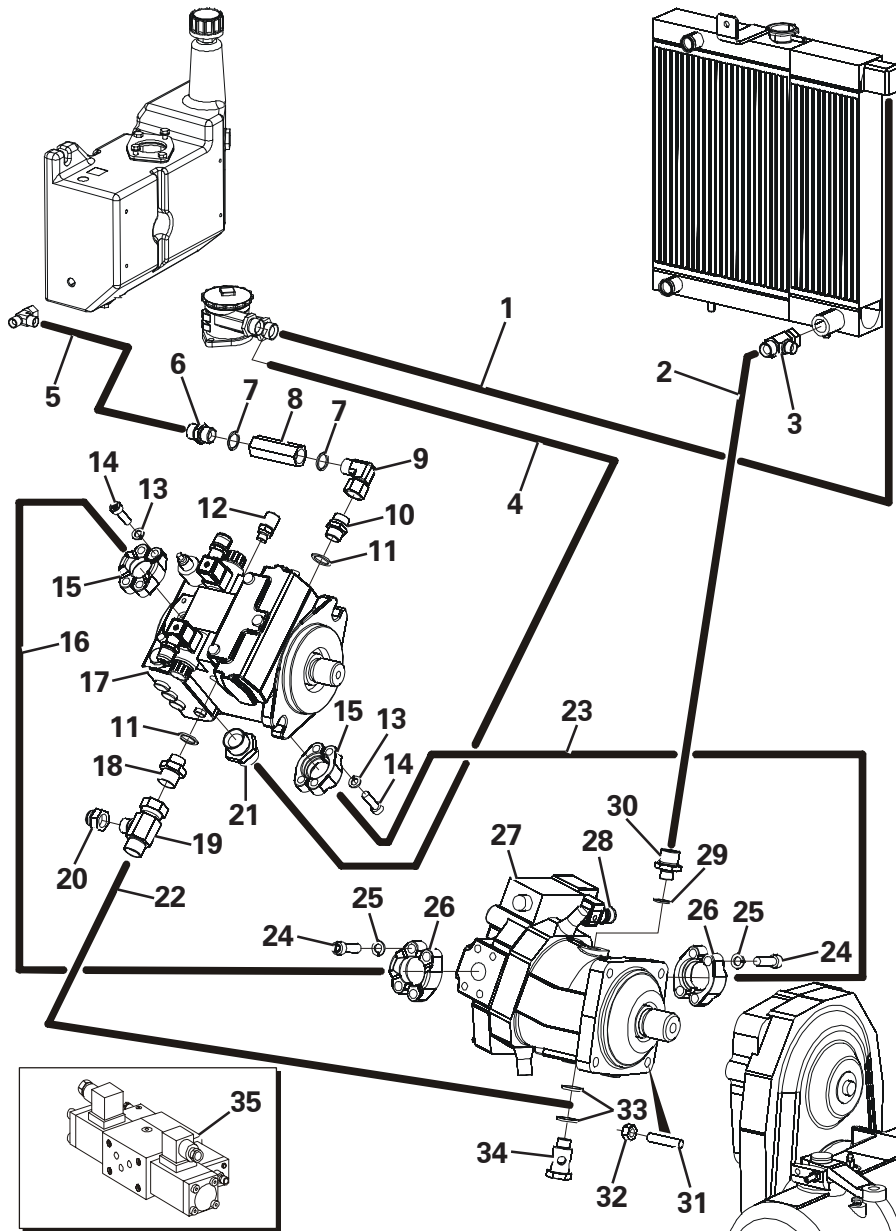
Item	Part No.	Description	Qty	U/M
1	T53046	GASKET	1.0	EA
2	T53317	BRACKET FILTER	1.0	EA
3	T53043	BOLT	3.0	EA
4	T53355	STUD	1.0	EA
5	T52851	ELBOW	1.0	EA
6	T53472	PIPE ASSEMBLY	1.0	EA
7	T53362	CLAMP	1.0	EA
8	T53473	PIPE PROTECTOR	1.0	EA
9	T53361	CLAMP	2.0	EA
10	T53356	JOINT	1.0	EA
11	T52855	DRAIN PLUG	1.0	EA
12	T53357	PIPE COOLER IN	1.0	EA
13	T53358	CLAMP	1.0	EA
14	T53353	OIL COOLER ASSEMBLY	1.0	EA
15	T53354	NUT	1.0	EA
16	T53281	OIL FILTER	1.0	EA
17	T52843	BOLT	2.0	EA
18	T52844	THERMOSTAT COVER	1.0	EA
19	T52845	GASKET	1.0	EA
20	T53366	THERMOSTAT	1.0	EA
21	T52847	GASKET	1.0	EA
22	T52873	PLUG	1.0	EA
23	T52872	GASKET	2.0	EA
24	T53365	BOLT	1.0	EA
25	T53367	GASKET	1.0	EA
26	T53363	WATER PUMP ASSEMBLY	1.0	EA
27	T52850	BOLT	3.0	EA
28	T52831	WATER TEMP SENDER	1.0	EA
29	T53368	BOLT	1.0	EA
30	T52841	O RING	1.0	EA
31	T52842	BOLT	3.0	EA
32	T53364	JOINT	1.0	EA
33	T52839	GASKET	1.0	EA

**ENGINE MOUNTINGS**

Item	Part No.	Description	Qty	U/M
1	T104135	FRONT ENGINE MOUNT ASSY	2.0	EA
2	T104138	REAR ENGINE MOUNT RH	1.0	EA
3	T104137	REAR ENGINE MOUNT LH	1.0	EA
4	T7466	SET SCREW	16.0	EA
5	T13362	SPRING WASHER	16.0	EA
6	T9914	P CLIP	1.0	EA
7	T15819	WASHER	1.0	EA
8	T104158	SET SCREW	4.0	EA
9	T6769	HEAVY DUTY WASHER	4.0	EA
10	T104136	ENGINE MOUNT (REAR)	2.0	EA
11	T12694	SET SCREW	8.0	EA
12	T12973	PLAIN WASHER	8.0	EA
13	T19007	PHILIDAS NUT	8.0	EA
16	T104134	ENGINE MOUNT (FRONT)	2.0	EA
17	T14080	SPRING WASHER	4.0	EA

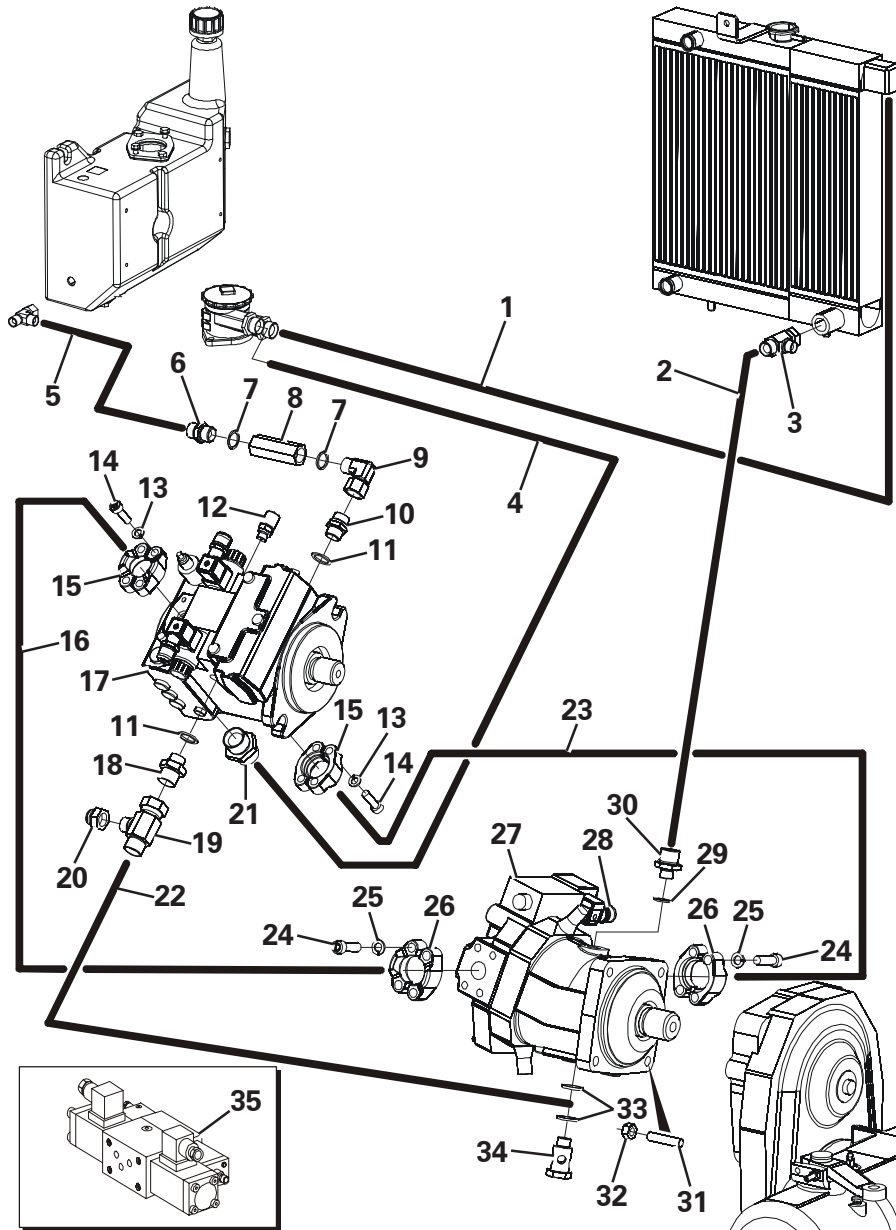


**HYDROSTATIC PUMP AND MOTOR**



Item	Part No.	Description	Qty	U/M
1	T103057	HOSE	1.0	EA
2	T103056	HOSE	1.0	EA
3	T18907	TEE	1.0	EA
4	T103059	HOSE	1.0	EA
5	T101210	HOSE	1.0	EA
6	T13936	ADAPTOR	1.0	EA
7	T5596	DOWTY WASHER	2.0	EA
8	T100683	CHECK VALVE	1.0	EA
9	T100771	ELBOW	1.0	EA
10	T20441	ADAPTOR	1.0	EA
11	T17769	DOWTY WASHER	2.0	EA
12	T100681	HYDRAULIC GAUGE TEST POINT	1.0	EA
13	T13362	SPRING WASHER	8.0	EA
14	T17842	SOCKET HEAD CAP SCREW	8.0	EA
15	T17760	SPLIT FLANGE CLAMPS	2.0	PR
16	T101204	HOSE	1.0	EA
17	T103194	HYDRAULIC PUMP	1.0	EA
18	T17724	ADAPTOR	1.0	EA

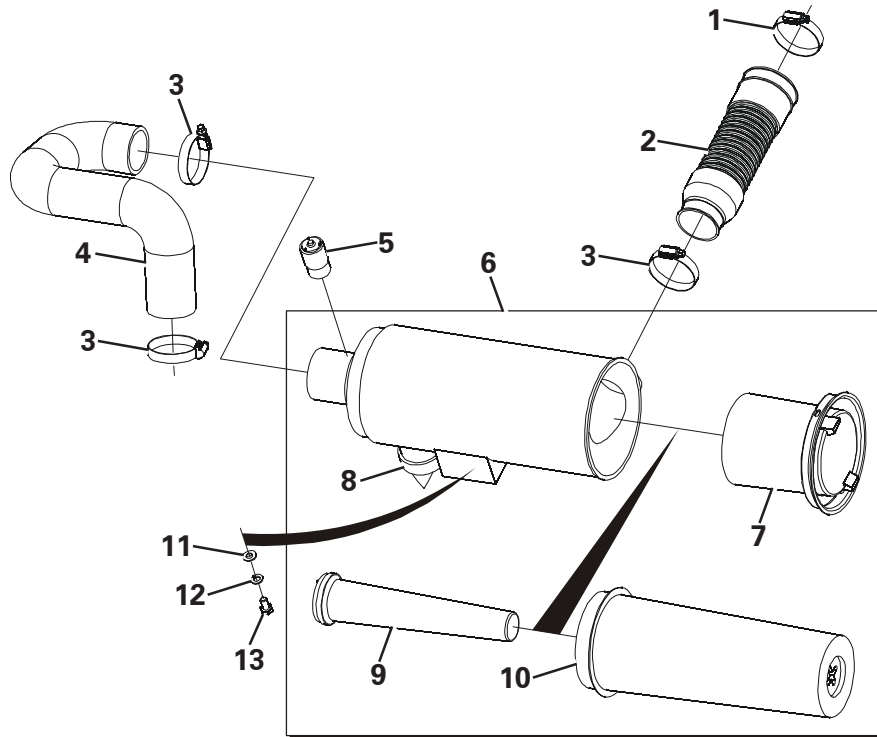
**HYDROSTATIC PUMP AND MOTOR**



Item	Part No.	Description	Qty	U/M
19	T17481	TEE	1.0	EA
20	T101637	BLANKING PLUG	1.0	EA
21	T101338	ADAPTOR	1.0	EA
22	T101205	HOSE	1.0	EA
23	T101203	HOSE	1.0	EA
24	T16673	SOCKET HEAD CAP SCREW	8.0	EA
25	T14080	SPRING WASHER	8.0	EA
26	T17761	SPLIT FLANGE CLAMPS	2.0	PR
27	T103195	HYDRAULIC MOTOR	1.0	EA
28	T52912	SOLENOID	1.0	EA
29	T100797	DOWTY WASHER	1.0	EA
30	T100785	CHECK VALVE	1.0	EA
31	T103036	STUD	4.0	EA
32	T14283	PHILIDAS NUT	4.0	EA
33	T5594	DOWTY WASHER	2.0	EA
34	T101272	BANJO BOLT	1.0	EA
35	T53169	SOLENOID	1.0	EA

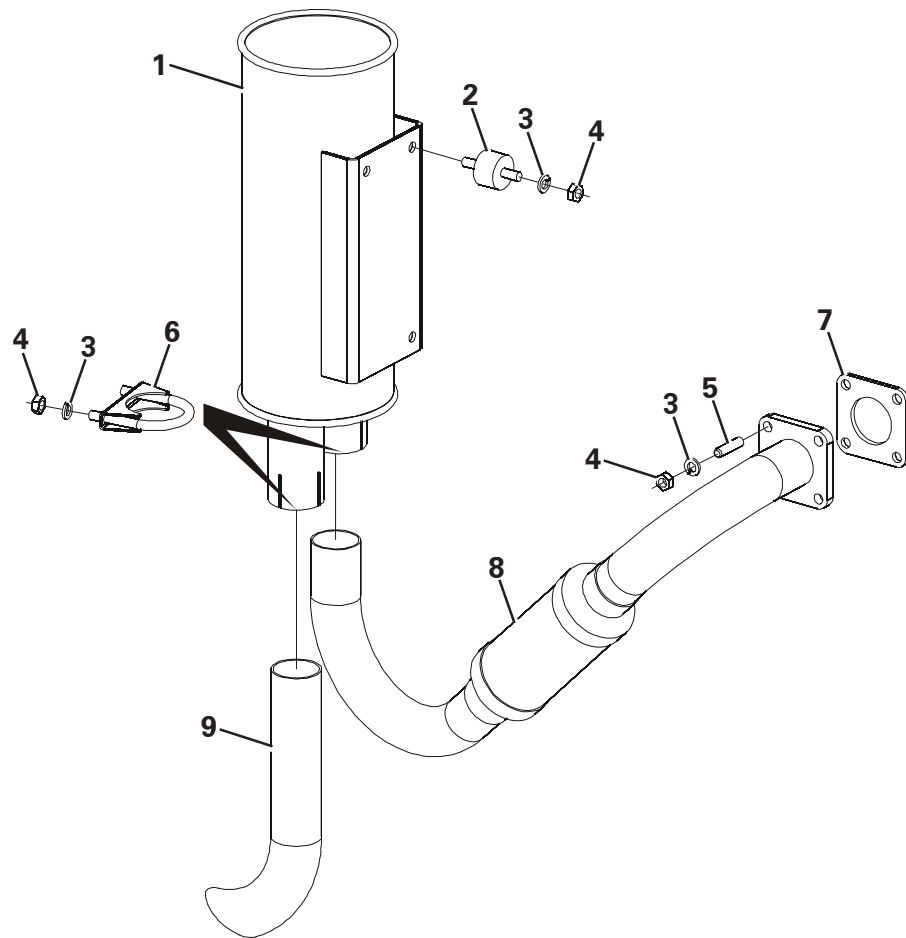
**AIR CLEANER ASSEMBLY**

Item	Part No.	Description	Qty	U/M
1	T7540	JUBILEE CLIP	1.0	EA
2	T101182	FLEXIBLE AIR CLEANER HOSE	1.0	EA
3	T7872	JUBILEE CLIP	3.0	EA
4	T102889	AIR CLEANER HOSE	1.0	EA
5	T100282	RESTRICTION INDICATOR	1.0	EA
6	T102629	AIR CLEANER	1.0	EA
7	T53877	COVER ASSEMBLY	1.0	EA
8	T53117	VALVE	1.0	EA
9	T53815	INNER FILTER	1.0	EA
10	T53814	OUTER FILTER	1.0	EA
11	T12973	WASHER	2.0	EA
12	T12972	SPRING WASHER	2.0	EA
13	T11673	SET SCREW	2.0	EA

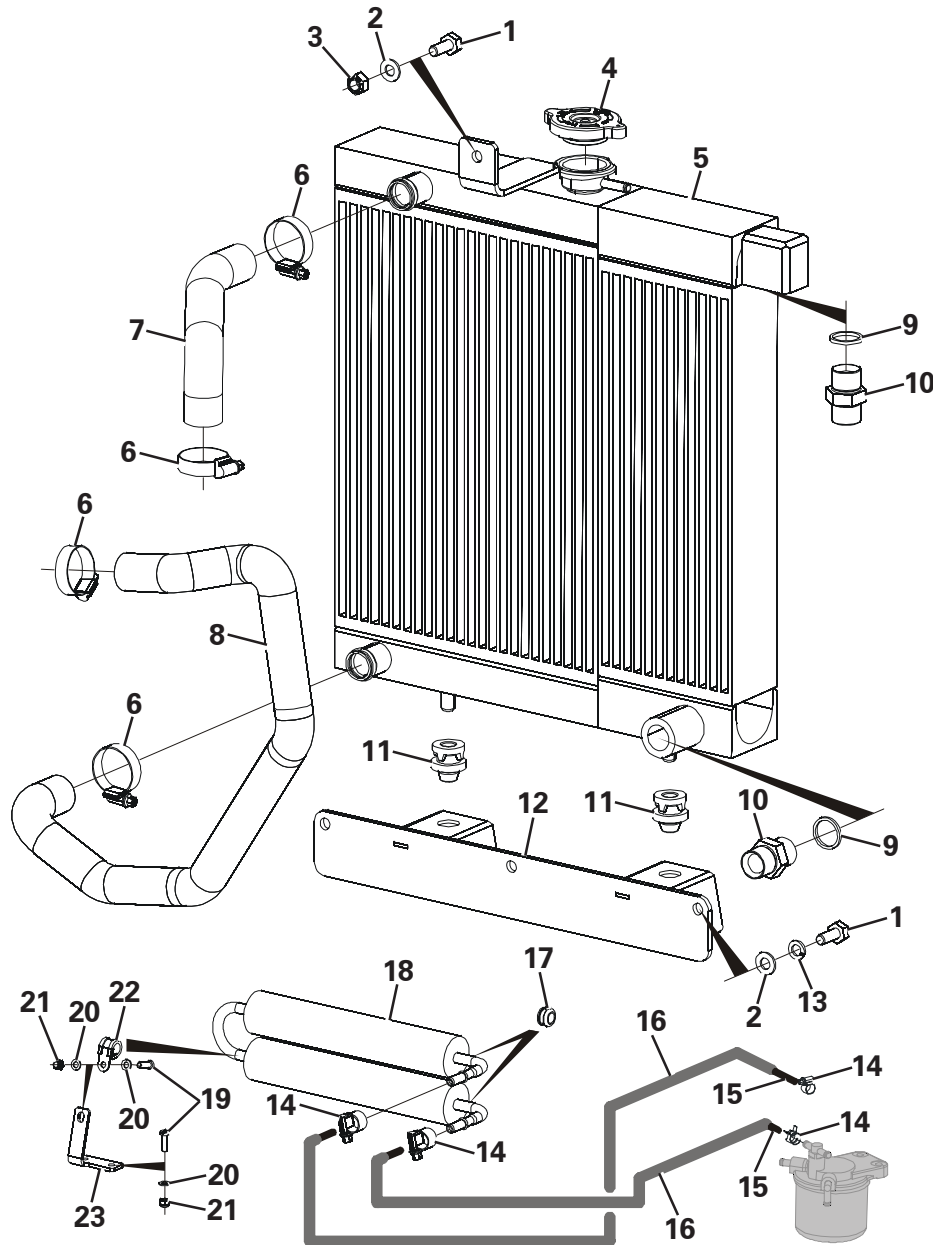


**EXHAUST**

Item	Part No.	Description	Qty	U/M
1	T102822	SILENCER	1.0	EA
2	T100796	RUBBER BUFFER	3.0	EA
3	T12972	SPRING WASHER	11.0	EA
4	T9775	NUT	11.0	EA
5	T52797	STUD	4.0	EA
6	T18834	EXHAUST CLAMP	2.0	EA
7	T53112	GASKET	1.0	EA
8	T101346	EXHAUST PIPE	1.0	EA
9	T102722	EXHAUST TAIL PIPE	1.0	EA

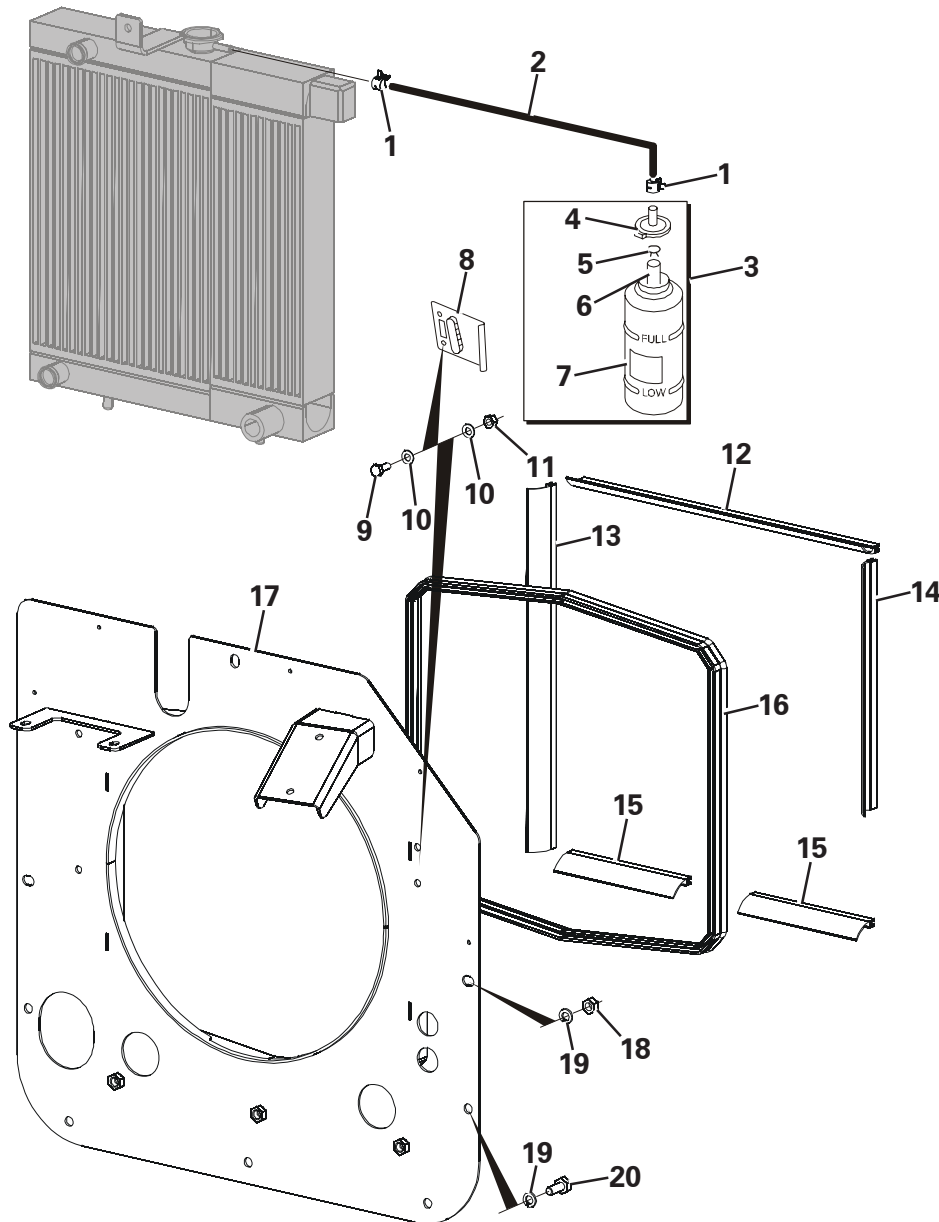


**RADIATOR AND FUEL COOLER**



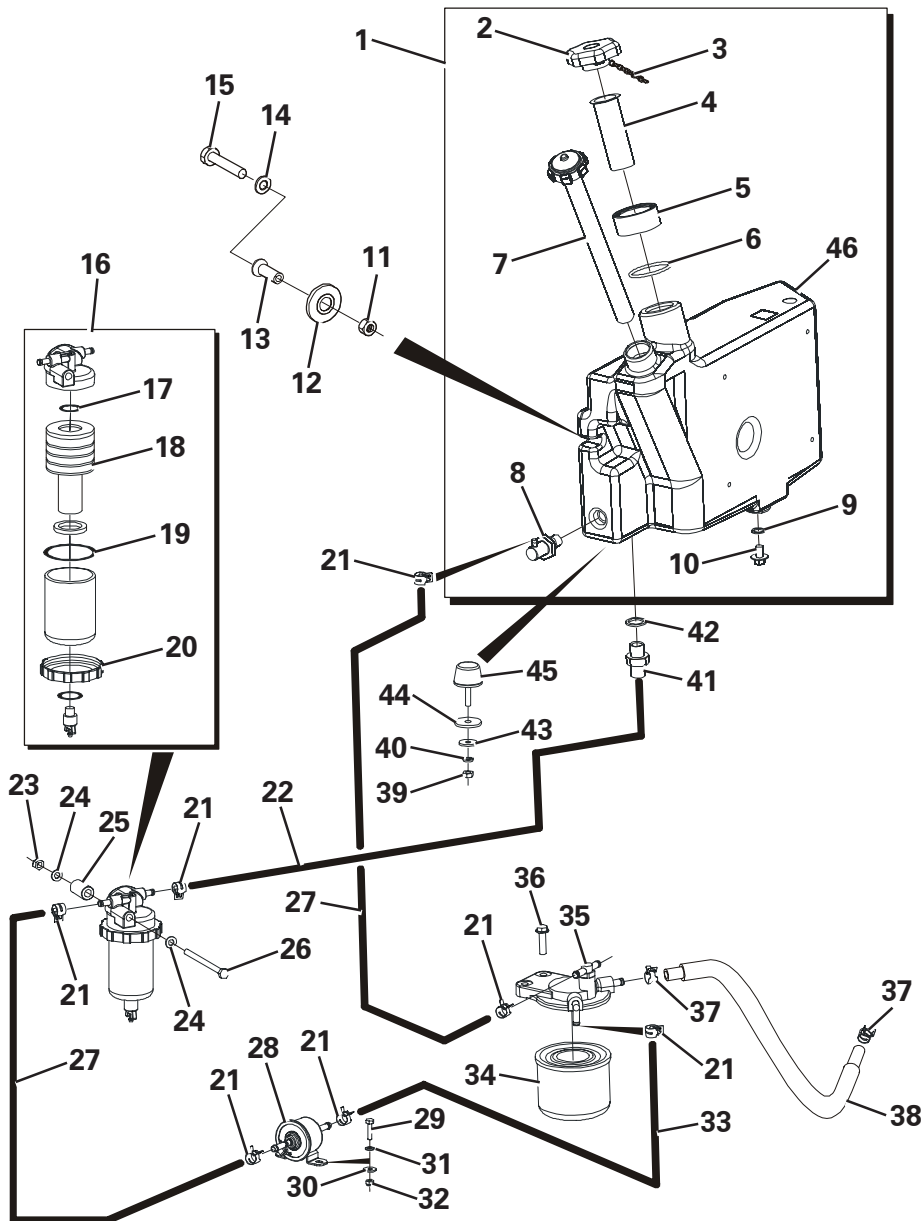
Item	Part No.	Description	Qty	U/M
1	T7466	SET SCREW	4.0	EA
2	T10734	HEAVY DUTY WASHER	4.0	EA
3	T13064	PHILIDAS NUT	1.0	EA
4	T53136	RADIATOR CAP	1.0	EA
5	T102927	COMBI RADIATOR	1.0	EA
6	T6693	JUBILEE CLIP	4.0	EA
7	T102934	TOP RAD HOSE	1.0	EA
8	T103014	BTM RAD HOSE	1.0	EA
9	T5594	DOWTY WASHER	2.0	EA
10	T8014	ADAPTOR	2.0	EA
11	T101188	RADIATOR MTG RUBBER	2.0	EA
12	T102962	RAD BOTTOM MTG BRACKET	1.0	EA
13	T13362	SPRING WASHER	3.0	EA
14	T11459	JUBILEE CLIP	4.0	EA
15	T101881	HOSE	2.0	EA
16	T102175	PLASTIC CONDUIT	2.0	EA
17	T10540	GROMMET	2.0	EA
18	T102197	U-BEND FUEL COOLER	1.0	EA
19	T16610	CHEESE HEAD SCREW	3.0	EA
20	T16612	WASHER	4.0	EA
21	T16613	NYLOC NUT	3.0	EA
22	T101282	P CLIP	1.0	EA
23	T103018	FUEL COOLER BRACKET	1.0	EA

**RADIATOR COWL AND SEALS**



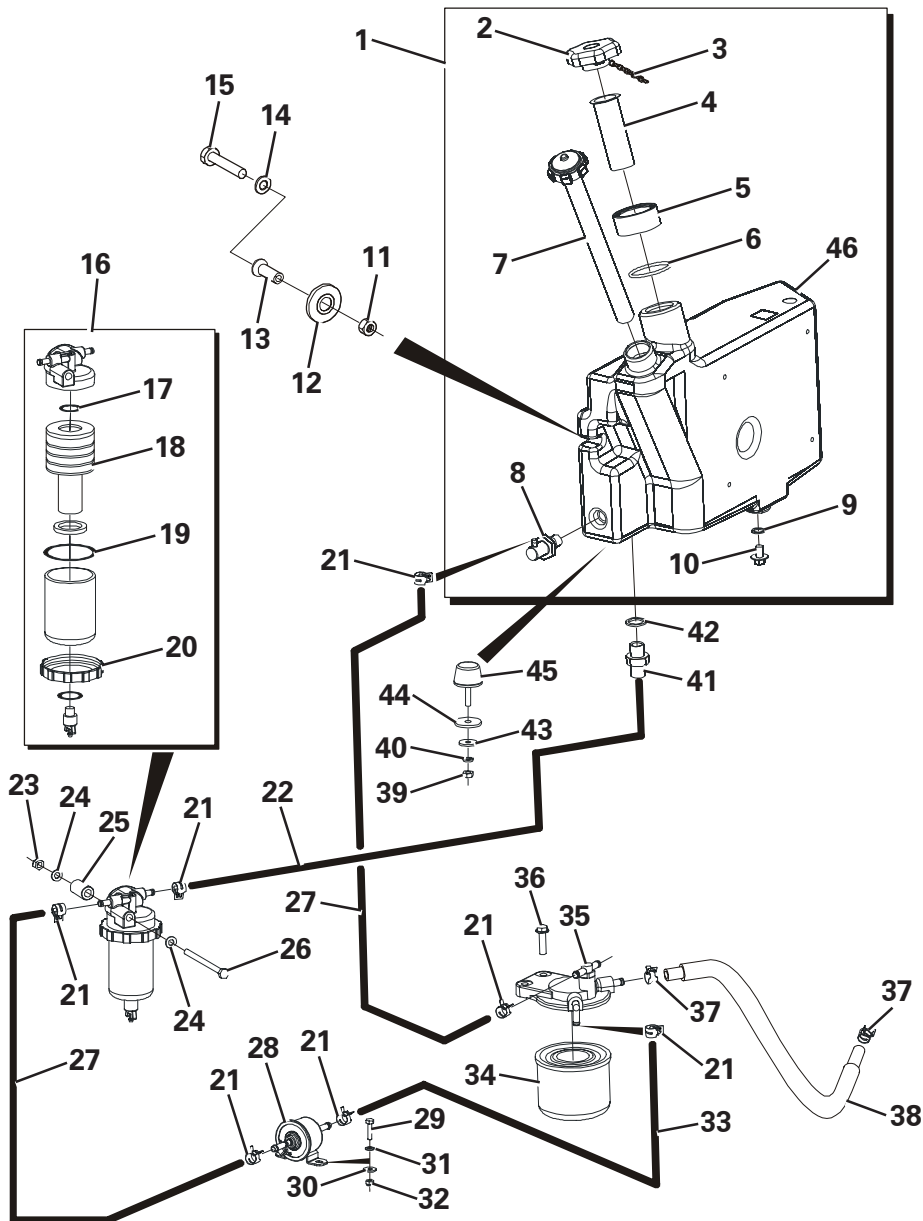
Item	Part No.	Description	Qty	U/M
1	T100421	SPRING BAND CLAMP	2.0	EA
2	T101219	RADIATOR OVERFLOW PIPE	1.0	EA
3	T52800	TANK ASSEMBLY	1.0	EA
4	T52802	CAP	1.0	EA
5	T52803	CLAMP	1.0	EA
6	T52804	PIPE	1.0	EA
7	T52801	TANK	1.0	EA
8	T52805	BRACKET SUB-TANK	1.0	EA
9	T7465	SET SCREW	2.0	EA
10	T12973	WASHER	4.0	EA
11	T13457	NYLOC NUT	2.0	EA
12	T102720	RADIATOR SEAL HORIZONTAL	1.0	EA
13	T102721	RADIATOR SEAL RH VERTICAL	1.0	EA
14	T102892	RADIATOR SEAL LH VERTICAL	1.0	EA
15	T103060	RADIATOR SEAL BOTTOM	2.0	EA
16	T102906	RADIATOR COWL SEAL	1.0	EA
17	T102887	RADIATOR COWL	1.0	EA
18	T12509	NUT	2.0	EA
19	T13362	SPRING WASHER	7.0	EA
20	T7466	SET SCREW	5.0	EA

**FUEL TANK ASSEMBLY**

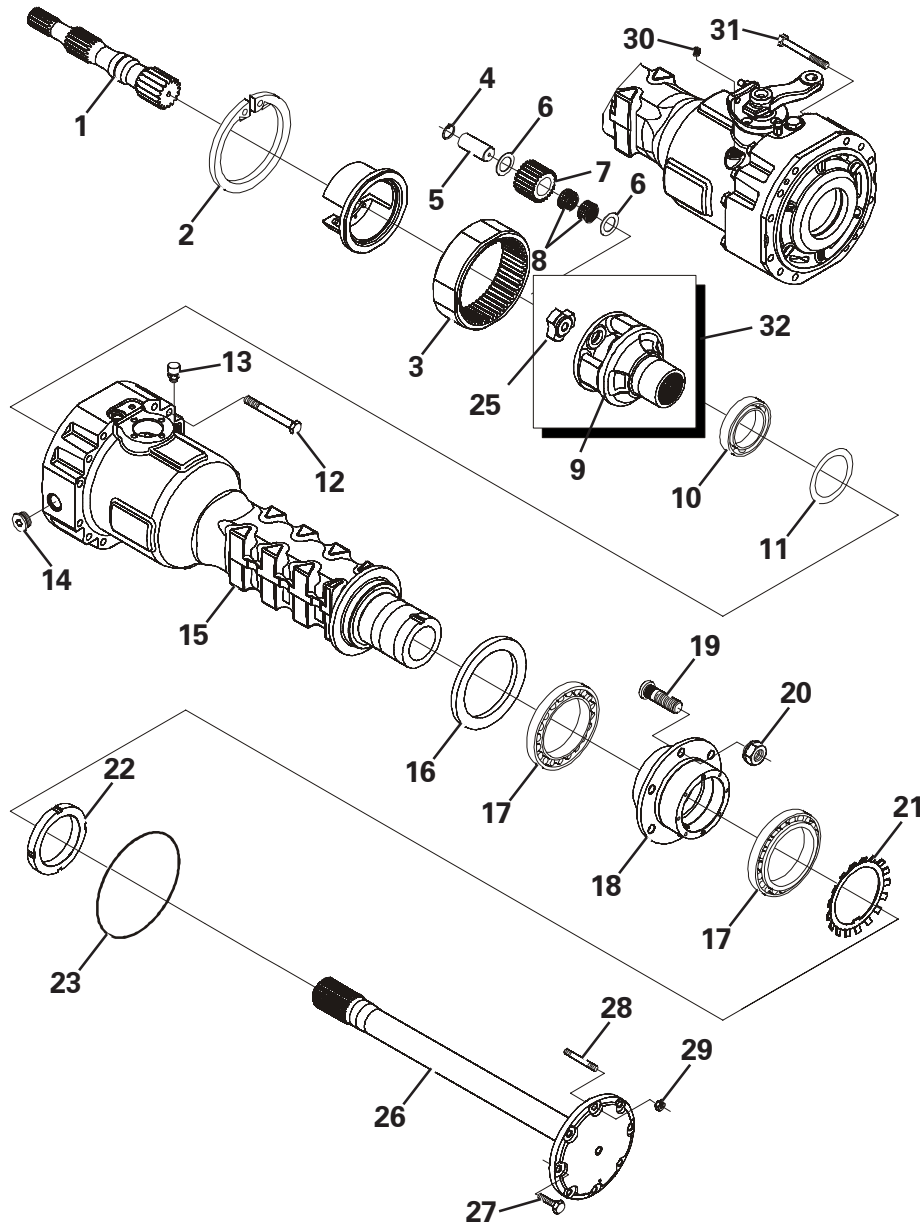


Item	Part No.	Description	Qty	U/M
1	T102007	FUEL TANK ASSY	1.0	EA
2	T52283	FUEL FILLER CAP	1.0	EA
3	T52437	FILLER CAP CHAIN	1.0	EA
4	T53839	STRAINER	1.0	EA
5	T52543	FILLER CAP COLLAR	1.0	EA
6	T52589	O RING	1.0	EA
7	T52498	LEVEL GAUGE	1.0	EA
8	T53211	FUEL RETURN ELBOW	1.0	EA
9	T52588	FIBRE WASHER	1.0	EA
10	T52282	DRAIN PLUG	1.0	EA
11	T13064	NUT	2.0	EA
12	T100323	RUBBER BACKED WASHER	2.0	EA
13	T100372	TANK SPACER	2.0	EA
14	T10734	H/DUTY WASHER	2.0	EA
15	T17963	BOLT	2.0	EA
16	T53328	SEPERATOR ASSEMBLY	1.0	EA
17	T52901	O RING	1.0	EA
18	T53329	ELEMENT	1.0	EA
19	T52899	O RING	1.0	EA
20	T52897	RING	1.0	EA
21	T100421	SPRING BAND CLAMP	7.0	EA
22	T102008	FUEL HOSE	1.0	EA
23	T13457	NYLOC NUT	1.0	EA

**FUEL TANK ASSEMBLY**



Item	Part No.	Description	Qty	U/M
24	T12973	WASHER	2.0	EA
25	T100935	SPACER TUBE	1.0	EA
26	T15658	BOLT	1.0	EA
27	T101819	FUEL HOSE	2.0	EA
28	T53230	PUMP ASSEMBLY	1.0	EA
29	T16476	SET SCREW	2.0	EA
30	T15830	WASHER HEAVY DUTY	2.0	EA
31	T13911	WASHER	2.0	EA
32	T16481	NYLOC NUT	2.0	EA
33	T102009	FUEL HOSE	1.0	EA
34	T53277	FUEL FILTER	1.0	EA
35	T53323	BRACKET FILTER	1.0	EA
36	T53324	BOLT	2.0	EA
37	T52882	CLAMP	2.0	EA
38	T53327	PIPE FUEL OIL	1.0	EA
39	T9775	NUT	2.0	EA
40	T12972	SPRING WASHER	2.0	EA
41	T12118	ADAPTOR	1.0	EA
42	T10940	DOWTY WASHER	1.0	EA
43	T9345	HEAVY DUTY WASHER	2.0	EA
44	T101168	TANK MOUNTING SPACER	2.0	EA
45	T100214	RUBBER BUFFER	2.0	EA
46	T101079	FUEL TANK	1.0	EA

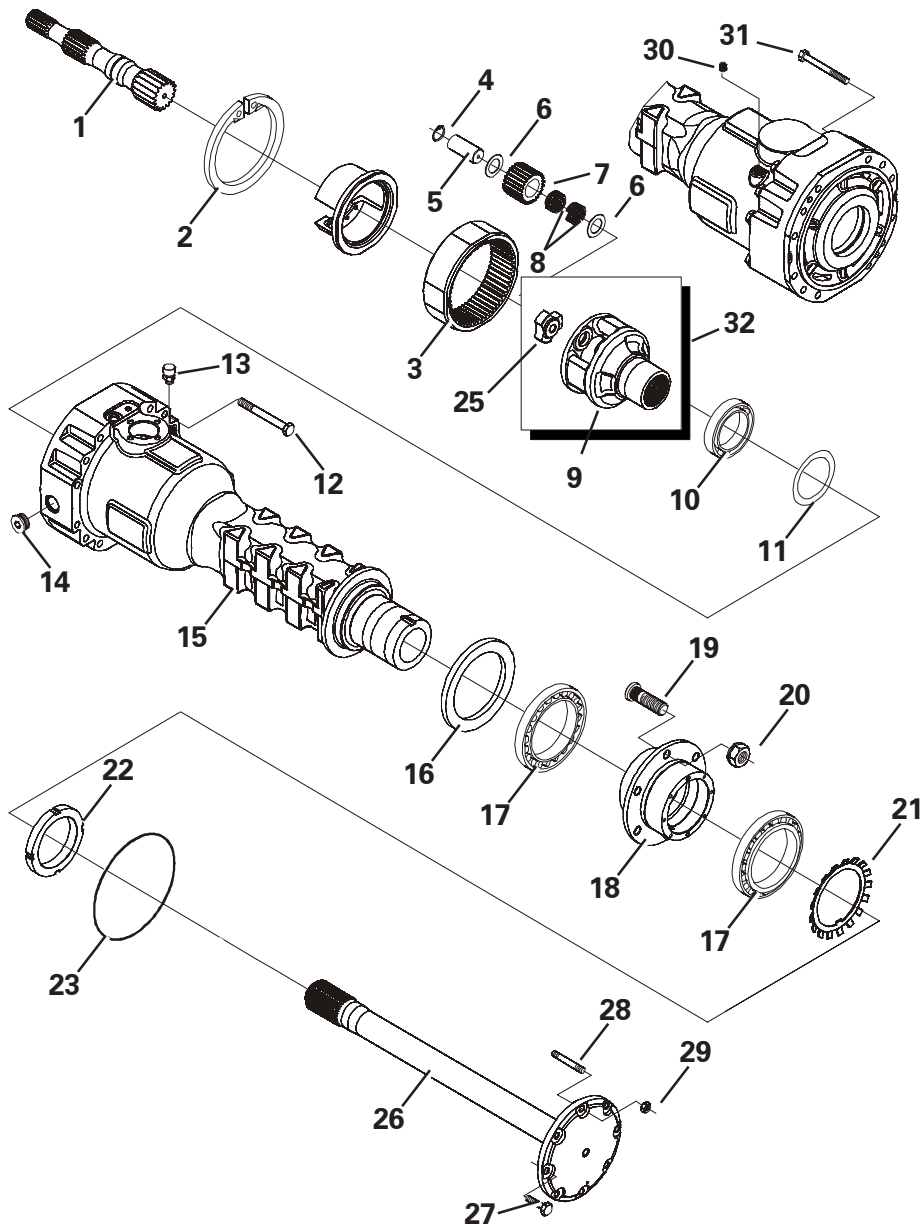


**FRONT AXLE - HUB REDUCTION**

Item	Part No.	Description	Qty	U/M
A	T102627	FRONT AXLE	1.0	EA
1	T53915	HALF SHAFT	2.0	EA
2	T53916	CIRCLIP	2.0	EA
3	T53917	RING GEAR	2.0	EA
4	T53544	CIRCLIP	6.0	EA
5	T53643	PIN	6.0	EA
6	T53644	FRICTION WASHER	12.0	EA
7	T53642	DIFFERENTIAL PINION	6.0	EA
8	T53562	NEEDLE ROLLER BEARING	12.0	EA
9	T54130	PLANET GEAR CARRIER	2.0	EA
10	T53919	BALL BEARING	2.0	EA
11	T53922	SHIM	A/R	EA
	T53576	SHIM	A/R	EA
	T53577	SHIM	A/R	EA
	T53582	SHIM	A/R	EA
	T53583	SHIM	A/R	EA
12	T54138	HEXAGON BOLT	12.0	EA
13	T53765	VENT	1.0	EA

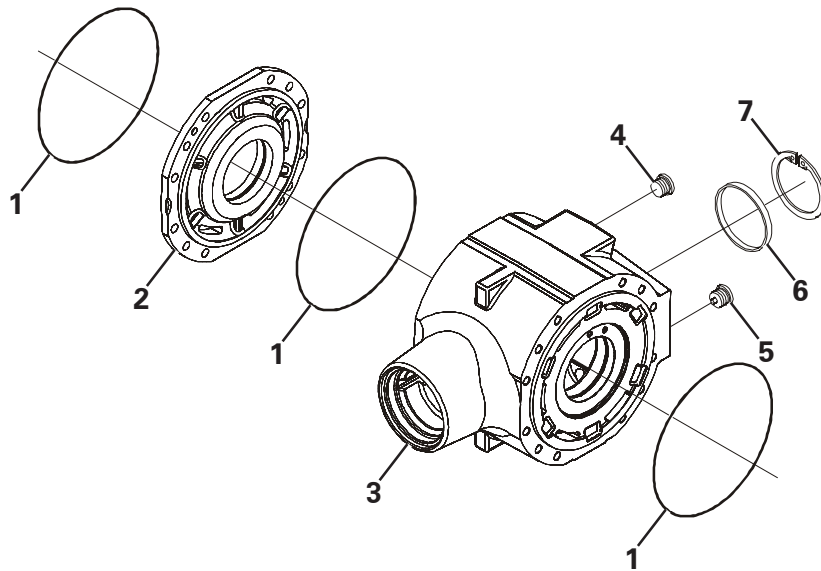
FRONT AXLE - HUB REDUCTION

Item	Part No.	Description	Qty	U/M
14	T53663	PLUG	2.0	EA
15	T53920	AXLE CASE	2.0	EA
16	T54125	HUB SEAL	2.0	EA
17	T53913	TAPER ROLLER BEARING	4.0	EA
18	T54139	WHEEL HUB	2.0	EA
19	T53773	WHEEL STUD	12.0	EA
20	T53567	WHEEL NUT	12.0	EA
21	T53872	TAB WASHER	2.0	EA
22	T53912	RING NUT	2.0	EA
23	T53870	O RING	2.0	EA
24		DELETED		
25	T54131	SPACER	2.0	EA
26	T53947	HALF SHAFT	2.0	EA
27	T53907	HEXAGON BOLT	12.0	EA
28	T54140	STUD	4.0	EA
29	T54141	NUT	4.0	EA
30	T53615	PLUG	1.0	EA
31	T53924	HEXAGON BOLT	12.0	EA
32	T54132	PLANET CARRIER C/W SPACER	2.0	EA

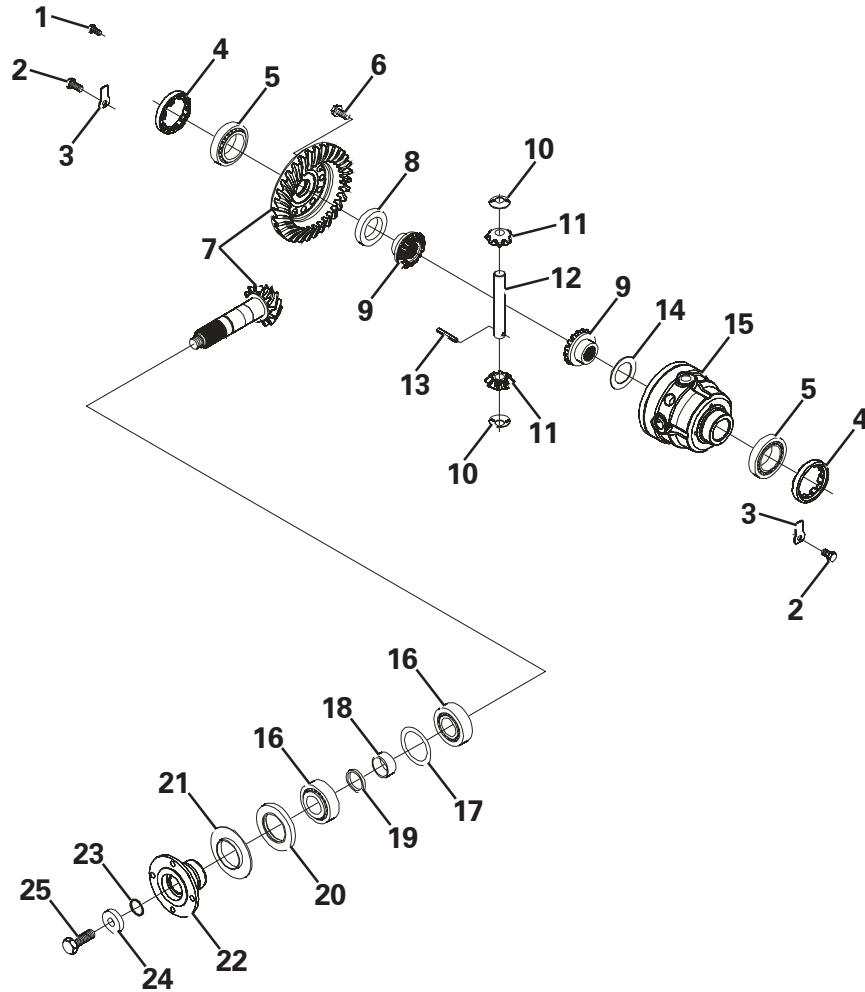


**FRONT AXLE - CENTRAL HOUSING**

Item	Part No.	Description	Qty	U/M
1	T53873	O RING	3.0	EA
2	T53891	INTERMEDIATE COVER	1.0	EA
3	T54137	HOUSING	1.0	EA
4	T53663	PLUG	1.0	EA
5	T53664	MAGNET PLUG	1.0	EA
6	T53709	PLUG	1.0	EA
7	T53855	CIRCLIP	1.0	EA

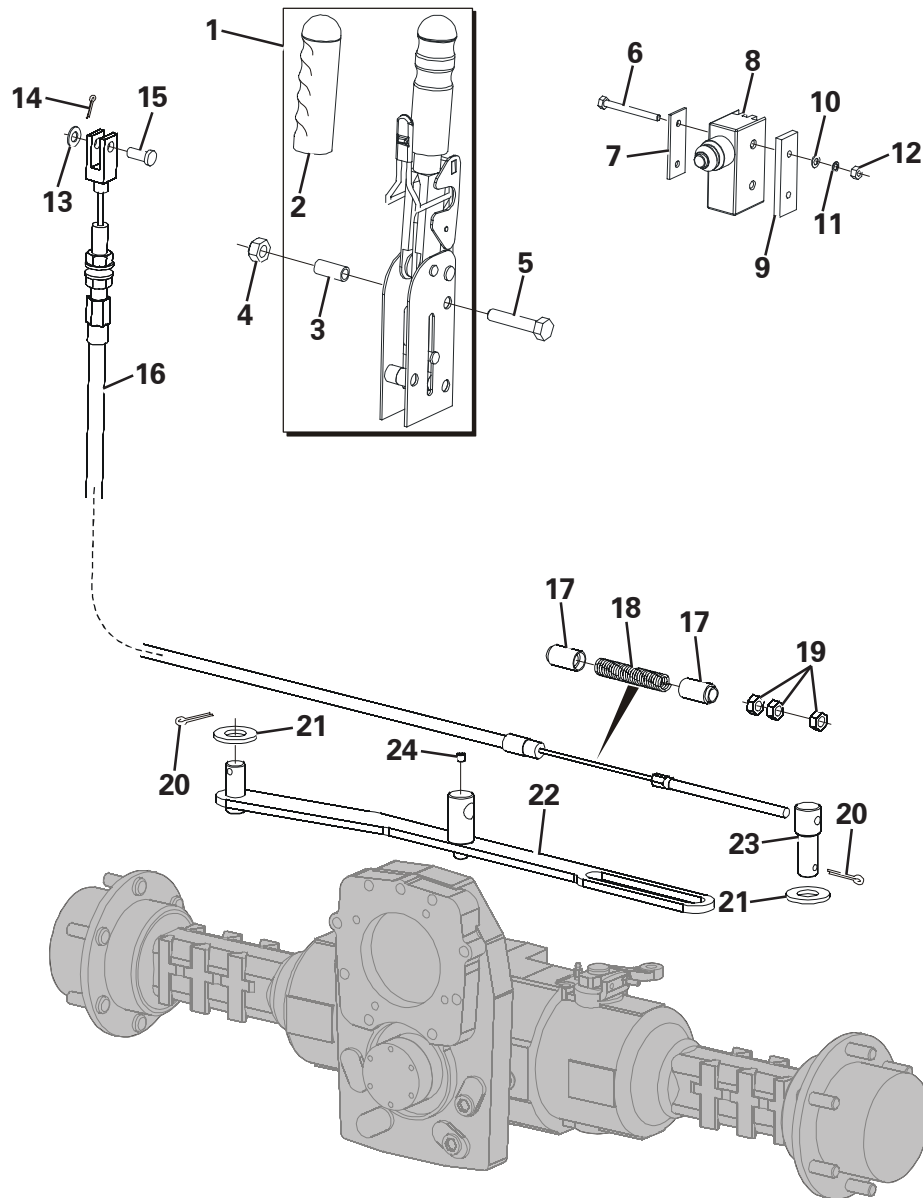


**FRONT AXLE - DIFFERENTIAL**



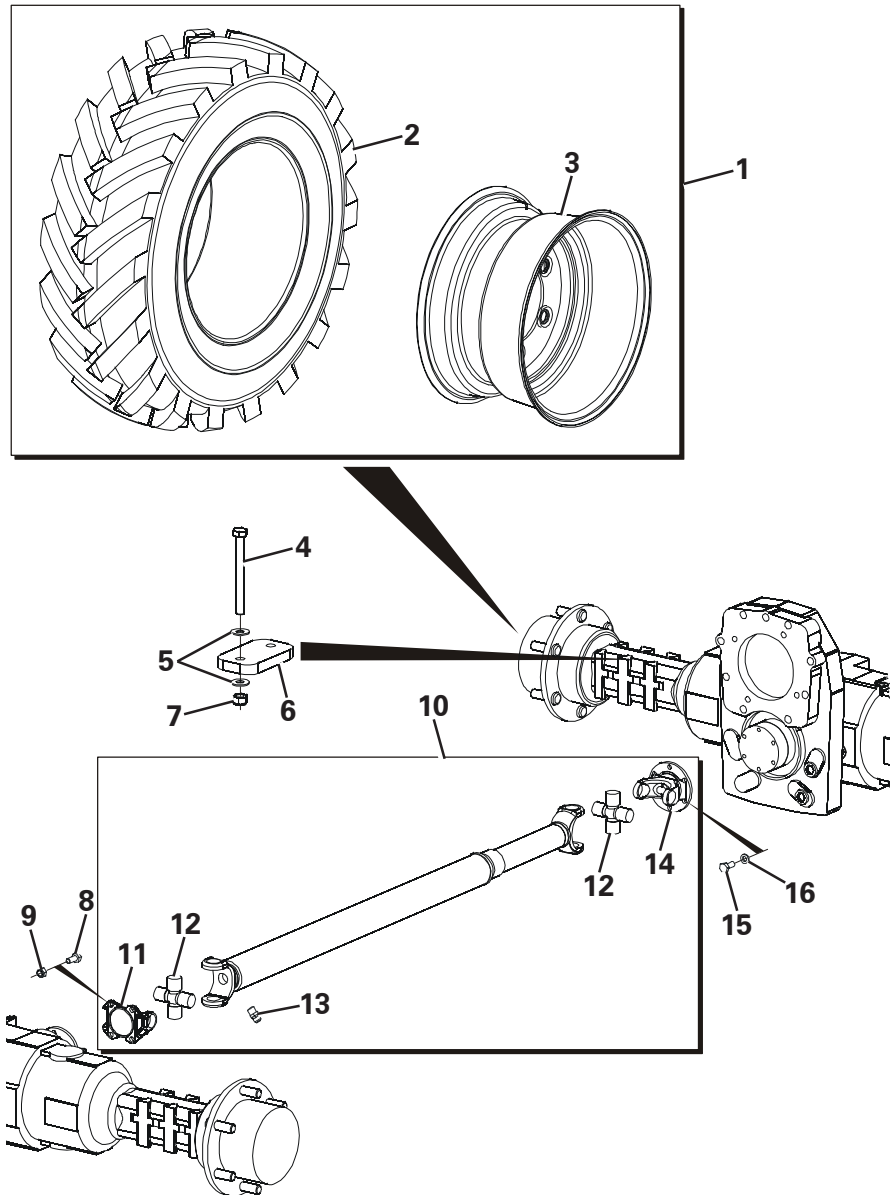
Item	Part No.	Description	Qty	U/M
1	T53897	CYLINDER BOLT	2.0	EA
2	T53896	HEXAGON BOLT	2.0	EA
3	T53895	LOCKING PLATE	2.0	EA
4	T53898	RING NUT	2.0	EA
5	T53555	TAPER ROLLER BEARING	2.0	EA
6	T53616	BOLT	12.0	EA
7	T53894	BEVEL GEAR SET	1.0	EA
8	T53899	SPACER	1.0	EA
9	T53900	DIFFERENTIAL SIDE GEAR	2.0	EA
10	T53901	WASHER	2.0	EA
11	T53902	DIFFERENTIAL PINION	2.0	EA
12	T53903	DIFFERENTIAL SHAFT	1.0	EA
13	T53904	ROLL PIN	1.0	EA
14	T53905	FRICTION WASHER	1.0	EA
15	T54194	DIFFERENTIAL CARRIER	1.0	EA
16	T53558	BEARING	2.0	EA
17	T53579	SHIM	A/R	EA
	T53580	SHIM	A/R	EA
	T53581	SHIM	A/R	EA
18	T54192	SPACER	1.0	EA
19	T54186	SHIM	1.0	EA
	T54187	SHIM	1.0	EA
	T53579	SHIM	2.0	EA
	T54188	SHIM	1.0	EA
	T54190	SHIM	2.0	EA
20	T54196	SEAL	1.0	EA
21	T53774	COVER PLATE	1.0	EA
22	T53764	FLANGE	1.0	EA
23	T54191	O RING	1.0	EA
24	T53893	WASHER	1.0	EA
25	T53598	BOLT	1.0	EA

**HANDBRAKE ASSEMBLY**



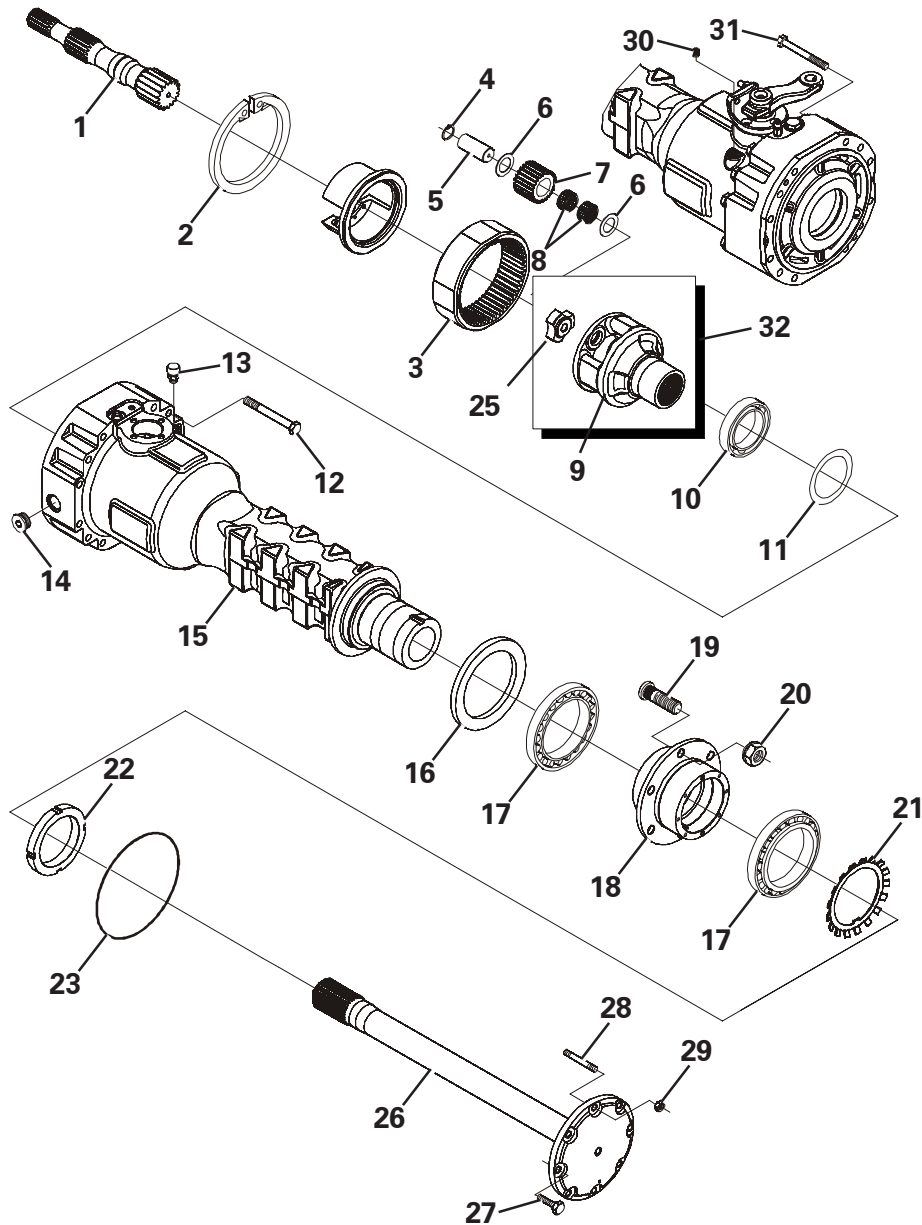
Item	Part No.	Description	Qty	U/M
1	T100893	OVERCENTRE HANDBRAKE	1.0	EA
2	T52947	GRIP	1.0	EA
3	T10869	SPACER	3.0	EA
4	T13064	PHILIDAS NUT	3.0	EA
5	T16501	BOLT	3.0	EA
6	T13321	SET SCREW	2.0	EA
7	T13289	MICRO SWITCH BACKING PLATE	1.0	EA
8	T100912	MICRO SWITCH	1.0	EA
9	T101186	MICRO SWITCH SPACER	1.0	EA
10	T11440	WASHER	2.0	EA
11	T11439	SPRING WASHER	2.0	EA
12	T11447	NUT	2.0	EA
13	T12973	WASHER	1.0	EA
14	T6702	SPLIT PIN	1.0	EA
15	T14101	CLEVIS PIN	1.0	EA
16	T102730	HANDBRAKE CABLE	1.0	EA
17	T100909	SPRING SUPPORT	2.0	EA
18	T102310	GALVANISED HANDBRAKE SPRING	1.0	EA
19	T6719	NUT	3.0	EA
20	T6751	SPLIT PIN	2.0	EA
21	T100867	WASHER	2.0	EA
22	T102854	HANDBRAKE CABLE LEVER	1.0	EA
23	T102853	HANDBRAKE CABLE GUIDE	1.0	EA
24	T103221	GRUB SCREW	1.0	EA

**PROPSHAFT & WHEEL ASSEMBLY**



Item	Part No.	Description	Qty	U/M
1	T102487	WHEEL & TYRE ASSY	4.0	EA
2	T20966	TYRE	1.0	EA
3	T102289	WHEEL RIM	1.0	EA
4	T102704	BOLT	8.0	EA
5	T100867	WASHER	16.0	EA
6	T102703	AXLE CLAMP PLATE	4.0	EA
7	T14910	PHILIDAS NUT	8.0	EA
8	T102509	BOLT	4.0	EA
9	T102510	PHILIDAS NUT	4.0	EA
10	T102833	PROPSHAFT	1.0	EA
11	T53783	FLANGE	1.0	EA
12	T52320	U.J.KIT	2.0	EA
13	T13454	GREASE NIPPLE	1.0	EA
14	T53778	FLANGE	1.0	EA
15	T104000	SET SCREW	6.0	EA
16	T12973	WASHER	6.0	EA

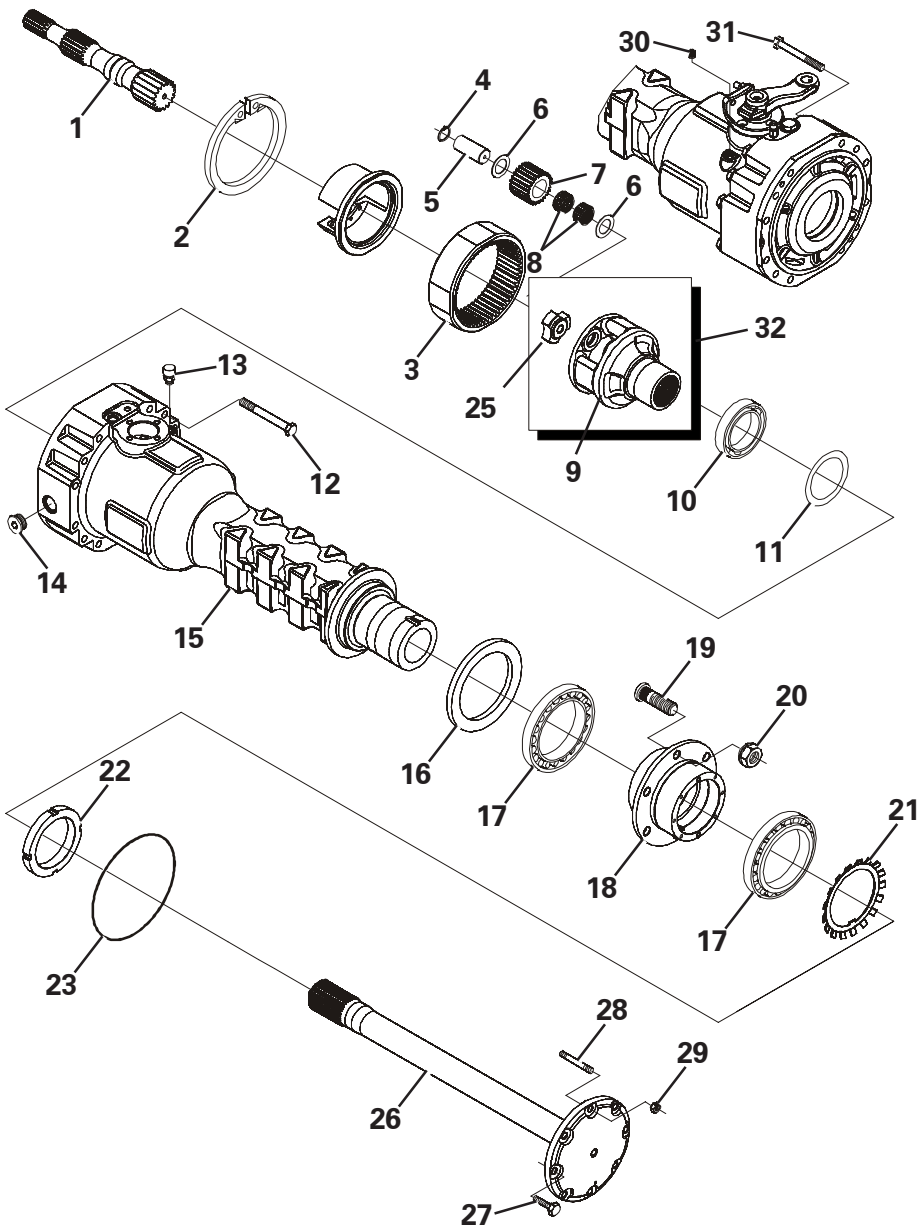
**REAR AXLE - HUB REDUCTION**



Item	Part No.	Description	Qty	U/M
A	T102823	REAR AXLE	1.0	EA
1	T53915	HALF SHAFT	2.0	EA
2	T53916	CIRCLIP	2.0	EA
3	T53917	RING GEAR	2.0	EA
4	T53544	CIRCLIP	6.0	EA
5	T53643	PIN	6.0	EA
6	T53644	FRICTION WASHER	12.0	EA
7	T53642	DIFFERENTIAL PINION	6.0	EA
8	T53562	NEEDLE ROLLER BEARING	12.0	EA
9	T54130	PLANET GEAR CARRIER	2.0	EA
10	T53919	BALL BEARING	2.0	EA
11	T53922	SHIM	A/R	EA
	T53576	SHIM	A/R	EA
	T53577	SHIM	A/R	EA
	T53582	SHIM	A/R	EA
	T53583	SHIM	A/R	EA
12	T54138	HEXAGON BOLT	12.0	EA
13	T53765	VENT	1.0	EA

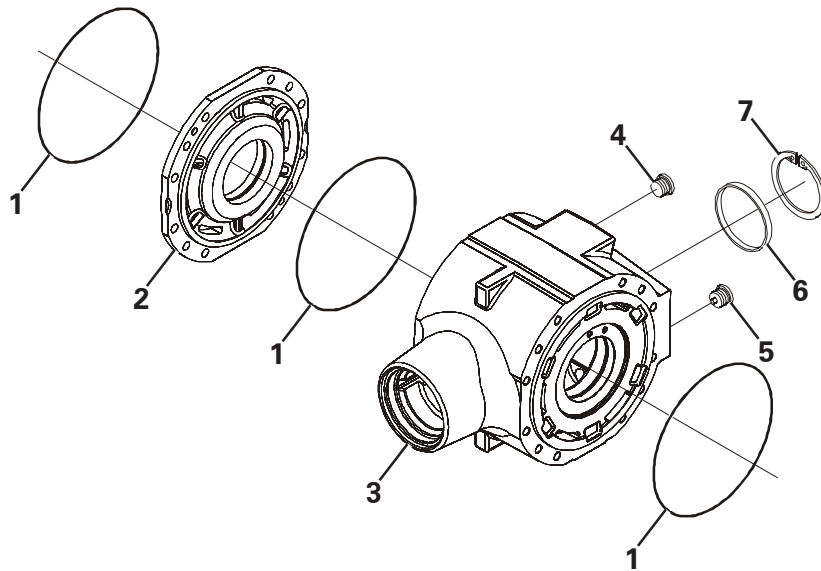
**REAR AXLE - HUB REDUCTION**

Item	Part No.	Description	Qty	U/M
14	T53663	PLUG	2.0	EA
15	T53923	AXLE CASE	2.0	EA
16	T54125	HUB SEAL	2.0	EA
17	T53913	TAPER ROLLER BEARING	4.0	EA
18	T54139	WHEEL HUB	2.0	EA
19	T53773	WHEEL STUD	12.0	EA
20	T53567	WHEEL NUT	12.0	EA
21	T53872	TAB WASHER	2.0	EA
22	T53912	RING NUT	2.0	EA
23	T53870	O RING	2.0	EA
25	T54131	SPACER	2.0	EA
26	T53947	HALF SHAFT	2.0	EA
27	T53907	HEXAGON BOLT	12.0	EA
28	T54140	STUD	4.0	EA
29	T54141	NUT	4.0	EA
30	T53615	PLUG	1.0	EA
31	T53924	HEXAGON BOLT	12.0	EA
32	T54132	PLANET CARRIER C/W SPACER	2.0	EA



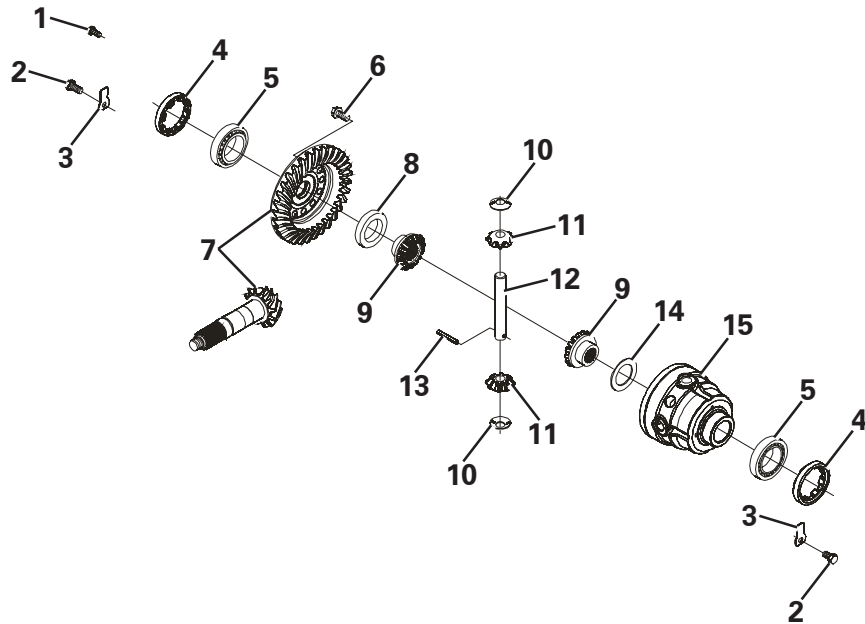
**REAR AXLE - CENTRAL HOUSING**

Item	Part No.	Description	Qty	U/M
1	T53873	O RING	3.0	EA
2	T53891	INTERMEDIATE COVER	1.0	EA
3	T54137	HOUSING	1.0	EA
4	T53663	PLUG	1.0	EA
5	T53664	MAGNET PLUG	1.0	EA
6	T53709	PLUG	1.0	EA
7	T53855	CIRCLIP	1.0	EA

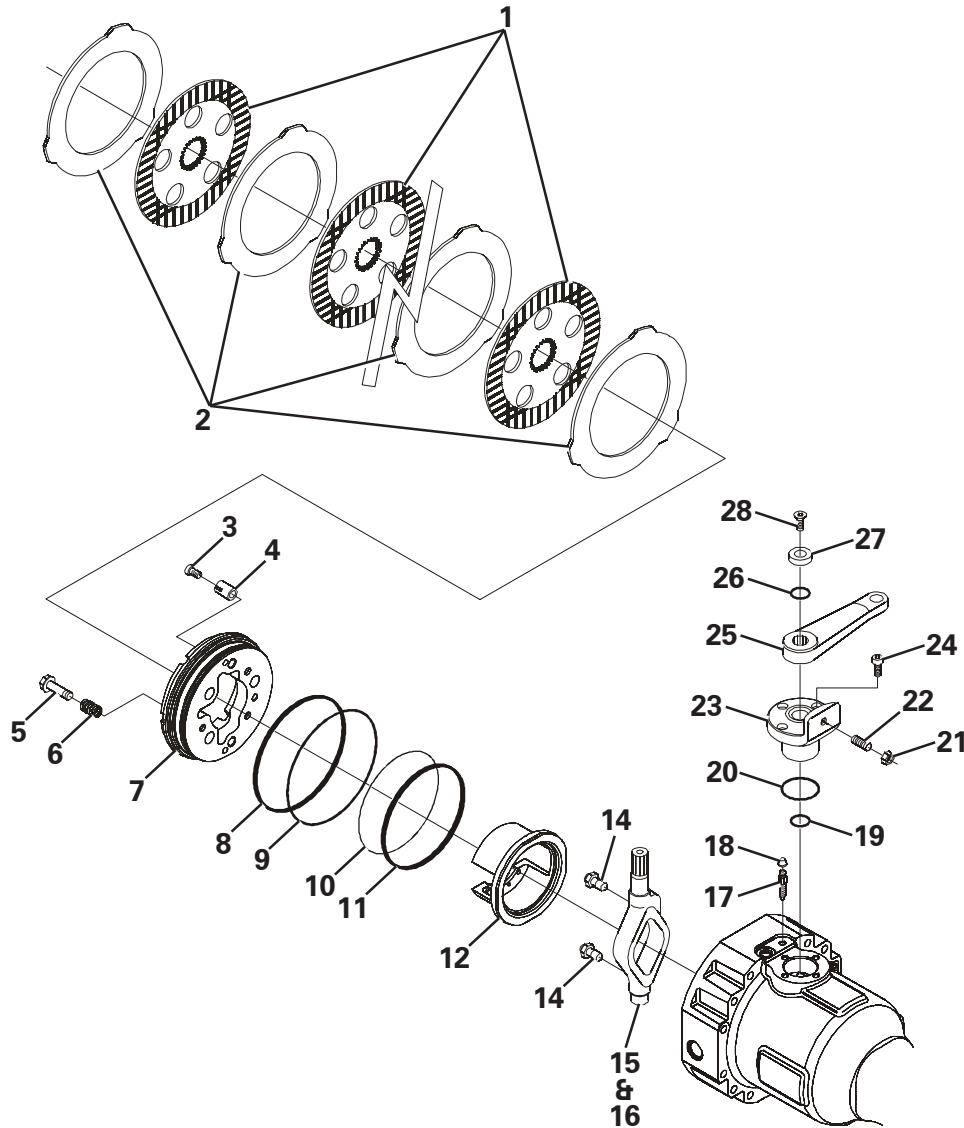


**REAR AXLE - DIFFERENTIAL**

Item	Part No.	Description	Qty	U/M
1	T53897	CYLINDER BOLT	2.0	EA
2	T53896	HEXAGON BOLT	2.0	EA
3	T53895	LOCKING PLATE	2.0	EA
4	T53898	RING NUT	2.0	EA
5	T53555	TAPER ROLLER BEARING	2.0	EA
6	T53616	BOLT	12.0	EA
7	T53925	BEVEL GEAR SET	1.0	EA
8	T53899	SPACER	1.0	EA
9	T53900	DIFFERENTIAL SIDE GEAR	2.0	EA
10	T53901	WASHER	2.0	EA
11	T53902	DIFFERENTIAL PINION	2.0	EA
12	T53903	DIFFERENTIAL SHAFT	1.0	EA
13	T53904	ROLL PIN	1.0	EA
14	T53905	FRICTION WASHER	1.0	EA
15	T54194	DIFFERENTIAL CARRIER	1.0	EA

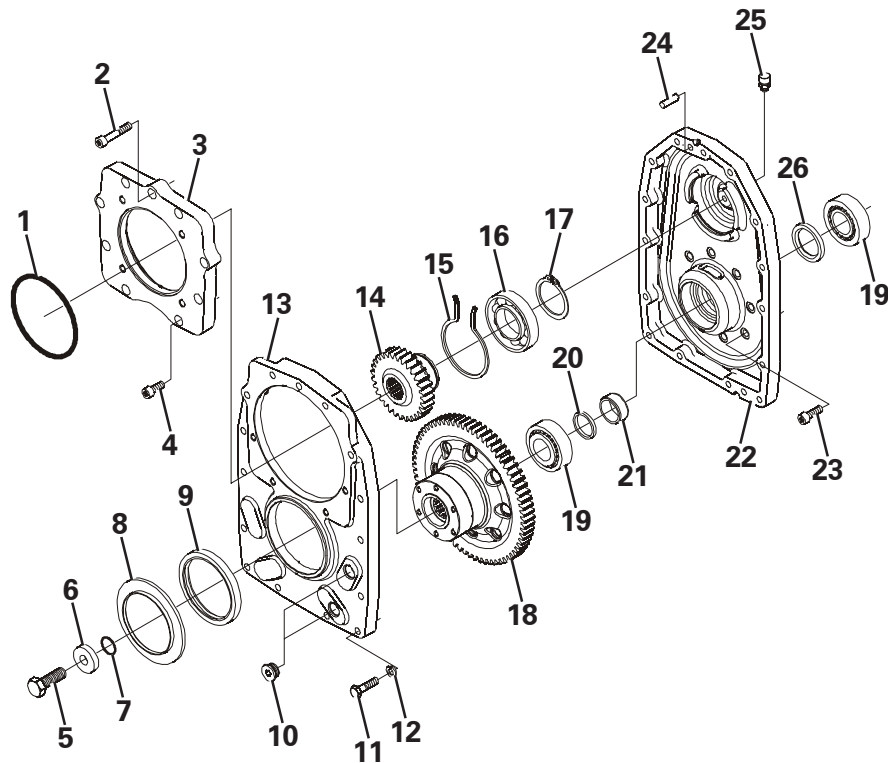


**REAR AXLE - BRAKES**



Item	Part No.	Description	Qty	U/M
1	T53875	BRAKE DISC	6.0	EA
2	T53874	BRAKE DISC	8.0	EA
3	T53933	ADJUSTING BOLT	6.0	EA
4	T53692	SPRING	6.0	EA
5	T53931	ADJUSTING BOLT	6.0	EA
6	T53932	SPRING	6.0	EA
7	T53934	PISTON	4.0	EA
8	T53698	BACKUP RING	2.0	EA
9	T53696	O RING	2.0	EA
10	T53695	O RING	2.0	EA
11	T53697	BACKUP RING	2.0	EA
12	T53929	SELECTOR	2.0	EA
14	T53928	PUSHER	4.0	EA
15	T53926	LEVER LH	1.0	EA
16	T53927	LEVER RH	1.0	EA
17	T53767	BLEEDING BOLT	2.0	EA
18	T53768	PLUG	2.0	EA
19	T53534	O RING	2.0	EA
20	T53533	O RING	2.0	EA
21	T53939	NUT	2.0	EA
22	T53938	GRUB BOLT	2.0	EA
23	T53937	REDUCTION BUSHING	2.0	EA
24	T53604	CYLINDER BOLT	6.0	EA
25	T53936	LEVER	2.0	EA
26	T53530	O RING	2.0	EA
27	T53722	WASHER	2.0	EA
28	T53609	COUNTERSUNK BOLT	2.0	EA

**REAR AXLE - GEAR BOX**



Item	Part No.	Description	Qty	U/M
1	T53945	O RING	1.0	EA
2	T53605	CYLINDER BOLT	5.0	EA
3	T53944	COVER	1.0	EA
4	T53603	CYLINDER BOLT	4.0	EA
5	T53598	BOLT	1.0	EA
6	T53893	WASHER	1.0	EA
7	T53523	O RING	1.0	EA
8	T53737	COVER	1.0	EA
9	T53537	SEAL	1.0	EA
10	T53761	PLUG	2.0	EA
11	T54193	HEXAGON BOLT	10.0	EA
12	T53568	SPRING WASHER	10.0	EA
13	T53942	COVER	1.0	EA
14	T53734	GEAR	1.0	EA
15	T53732	CIRCLIP	1.0	EA
16	T53943	BALL BEARING	1.0	EA
17	T53540	CIRCLIP	1.0	EA
18	T53759	GEAR	1.0	EA
19	T53558	BEARING	2.0	EA
20	T54186	SHIM	1.0	EA
	T54187	SHIM	1.0	EA
	T54188	SHIM	1.0	EA
21	T54189	SPACER	1.0	EA
22	T53756	HOUSING	1.0	EA
23	T54193	BOLT	8.0	EA
24	T53592	DOWEL	2.0	EA
25	T53758	VENT	1.0	EA
26	T53941	SEAL	1.0	EA

**OPTIONAL EXTRAS**

Part No.	Description	Qty	U/M
T100133	ROTATING BEACON	1.0	EA
T100308	XENON BEACON	1.0	EA
T104112	LED BEACON	1.0	EA
MACH1250X	ROAD LIGHTS (UK)	1.0	EA
MACH1251X	ROAD LIGHTS (CONT)	1.0	EA
MACH1252X	ENGINE SHUTDOWN	1.0	EA
MACH1257X	ROAD EQUIPMENT	1.0	EA
MACH1263X	SAND TYRES	1.0	EA
MACH1265X	REAR COVER (NON ROPS)	1.0	EA
KIT 366	TRANSFER KIT- 2 TONNE	1.0	EA

**MODIFIED AND ADDITIONAL PARTS**

Old Part No.	Qty	Description	Page	Item	Prefix	Issue	New Part No.
--------------	-----	-------------	------	------	--------	-------	--------------





## Service and Warranty

Thwaites give a warranty which, subject to certain conditions, gives an assurance as to the quality of their product.

### The Thwaites warranty states:-

In the manufacture of Thwaites machines we endeavour to ensure that only the best workmanship and materials are used. Consequently, provided:-

1. The machine has been properly used in accordance with our recommendations and,
2. That no alterations have been made to the machine without prior written approval and,
3. That the machine has been maintained, serviced and lubricated in accordance with our recommendations and,
4. That Thwaites Warranty Certificate and/or New Machine Delivery Report has been completed and received by Thwaites within one month of delivery to the user.
5. That Thwaites receive a correctly completed Warranty Claim form within thirty days of the failure occurring.
6. **UK**  
That the alleged defective parts are returned to Thwaites within 6 weeks of date of failure.
7. **All other territories**  
That unless otherwise instructed the alleged defective parts are to be stored for inspection for a 6 month period from date of failure.

We will examine the alleged defective part and if we are reasonably satisfied that any defect is solely due to bad workmanship or materials, we will at our cost and at our option either repair any defective part or supply a replacement part in full discharge of all obligations upon us.

This warranty does not, however, extend to reconditioned or second-hand machines. For the avoidance of doubt, we will not entertain any other claims of a direct or consequential nature of whatsoever description and our responsibility is limited to the above.

The above warranty shall in no way detract from your statutory rights

#### **Warranty**

It is important to use only genuine Thwaites Limited spare parts and to adhere strictly to the conditions of operation and maintenance laid down by Thwaites Limited.

**Your warranty may be invalidated if you do not comply with the above recommendations.**